



Hunter Office Furniture

02 4973 1313

Unit 1-2, 31 Alliance Avenue, Morisset NSW 2264
sales@hunterofficesupplies.com.au



CATALOGUE

2019-2020



Warranty period for chairs/lounges



Weight rating for individual chairs/lounges*



Fully imported Chairs,lounges, parts and components.



Chairs/Lounges upholstered in Australia



The Performance criteria adopted for certification by Furntech is based on Australian standards, e.g. Level 6 - Severe commercial and heavy industrial.*



Furntech is an independent not-for-profit technical organisation providing standards, testing product certification and research for buyers and sellers of furniture.

**Weight limits are self-rated by Style Ergonomic Australia. AFRDI approved chairs are normally rated to 110kg.*

AFRDI 142 Certification



AFRDI rating for multi shift use and 160kg weight limit.



BIFMA is a third-party certification program that provides manufacturers with valuable feedback for evaluating the environmental, human, and social impacts of their furniture products for manufacturing, facility, and organization.

CONTENT

R1 - TASK SEATING LOCAL

Prestige range	4
Ecotech range	8
Alpha range	14
Virgo range.....	18
Vesta range.....	22
Avoca range	28
Safari range	32
Chelsea range	36
Galaxy range	38
Epic range.....	40
Mega range	42
Spiral range.....	46

R2 - MUTLISHIFT SEATING

Rotary range	48
Mutli range	50
Rover range	52
Ranger range	54

R3- EXECUTIVE SEATING

Club range.....	56
Slate range.....	58
Forge range.....	60
Regal range.....	62
Austin range	64
Acura range	66

R4 - HOSPITALITY SEATING

Astra range	68
Dona range	70
Focus range	72
Vinn range	74
Pod range	80
Maxi range	88
Vera range	98

R5 - BEAM SEATING

Maxi beam range	102
Focus beam range	106
Vinn beam range	108
Pod beam range	112

R6 - BREAKOUT SEATING

Gold range.....	116
Hula range	118
Tonic range	120
Smoke range.....	122
Yard range	124
Ridge range.....	126
Opera range.....	128
Play range.....	130
Ola range.....	132
Clip range.....	134
Shape range	136
Impress range	138
Radius range	140
Leaf range	142
Twist range	144

R7 - BAR STOOLS

Gamma range	146
Flow range.....	146
Lift range.....	146
Vegas range	146

R8 - SOFT SEATING

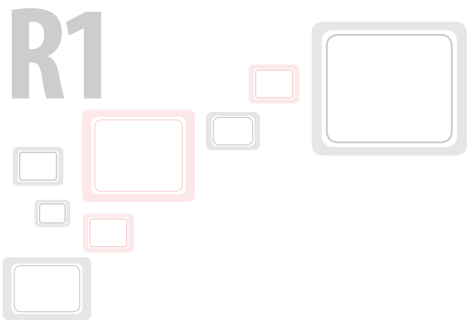
Space range	148
Blitz range.....	150
Roxa range.....	152
Montage range	154

R9 - ACOUSTIC SCREENS

Acoustic Screens	156
------------------------	-----

R10 - INDUSTRIAL STOOLS

Industrial stools	158
-------------------------	-----



TASK SEATING

PRESTIGE



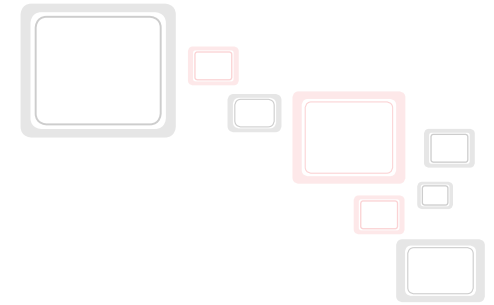
P350 FEATURES

- » Adjustable seat height
- » Adjustable back height
- » Adjustable seat and back angle
- » Moulded seat and back foam
- » Back available in two sizes
- » 3 Lever mechanism
- » Optional seat slider
- » Optional adjustable arms
- » 600mm Black nylon base
- » Available in local fabrics
- » AFRDI tested to level 6
- » 7 Year warranty
- » Weight limit is 130kg

P350 INSTRUCTIONS OF USE



PRESTIGE



P350HC



P350D

SIZE

» On next page



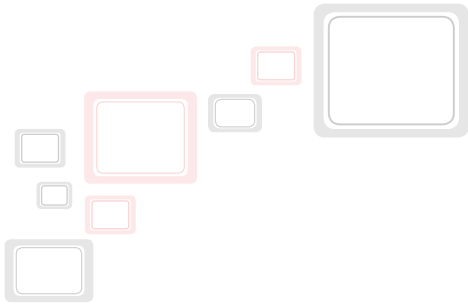
P350H



P350C



P350



PRESTIGE

WARRANTY
7
Year

WEIGHT LIMIT
130
Kilogram

UPHOLSTERED
IN AUSTRALIA

AFRDI

furntech
Australian
Furniture
Research &
Development
Institute
MEMBER

□ P200 FEATURES

- » Adjustable seat height
- » Adjustable back height
- » Adjustable back angle
- » Moulded seat and back foam
- » Back available in two sizes
- » 2 Lever mechanism
- » Optional seat slider
- » Optional adjustable arms
- » 600mm Black nylon base
- » Available in local fabrics
- » AFRDI tested to level 6
- » 7 Year warranty
- » Weight limit is 130kg



P200HC



P200D



P200H



P200C



P200

PR600



PR600 FEATURES

- » Adjustable seat height
- » Adjustable seat and back angle
- » Adjustable back height (ratchet)
- » Adjustable weight tension
- » Moulded seat and back foam
- » 3 Lever heavy duty ergonomic mechanism
- » Optional adjustable arms
- » Big boy seat
- » Chair not available with drafting kit
- » 700mm Black nylon base
- » Available in local fabrics
- » AFRDI tested to level 6
- » 7 Year warranty
- » Weight limit is 140kg

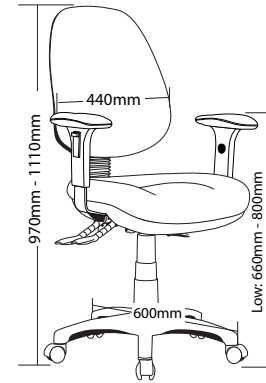
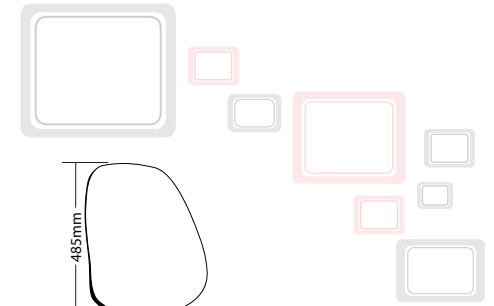


PR600C

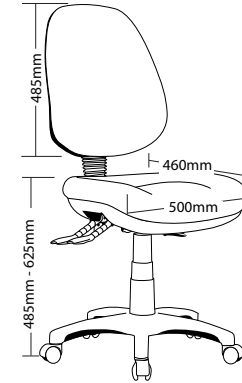


PR600

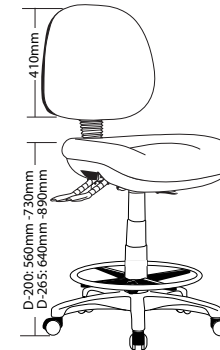
SIZE



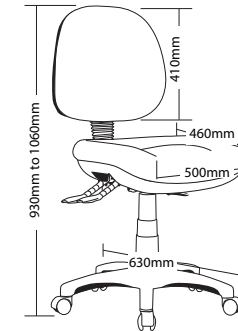
P350HC



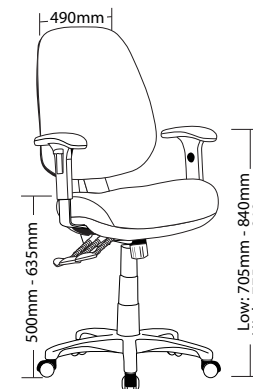
P350H



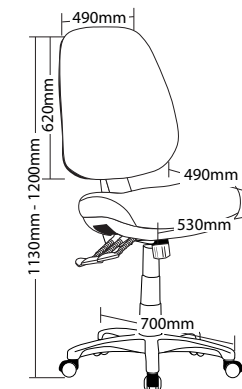
P350D



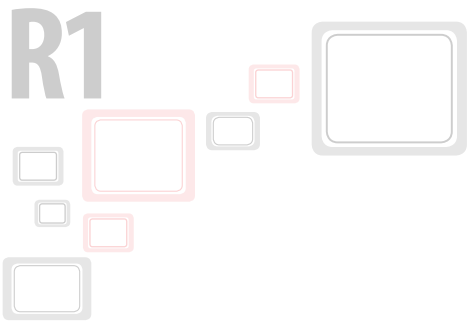
P350



PR600C



PR600



TASK SEATING

ECOTECH



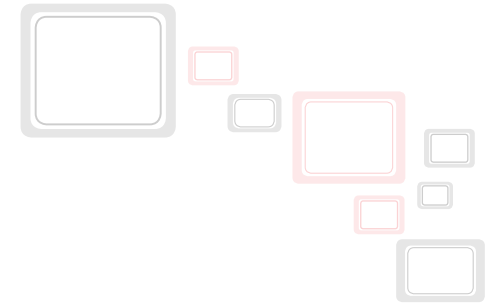
E350 FEATURES

- » Adjustable seat height
- » Adjustable back height
- » Adjustable seat and back angle
- » Moulded seat and back foam
- » Back available in two sizes
- » 3 Lever mechanism
- » Optional seat slider
- » Optional adjustable arms
- » 600mm Black nylon base
- » Available in local fabrics
- » AFRDI tested to level 6
- » 7 Year warranty
- » Weight limit is 130kg

E350 INSTRUCTIONS OF USE



ECOTECH



E350HC



E350D



E350H



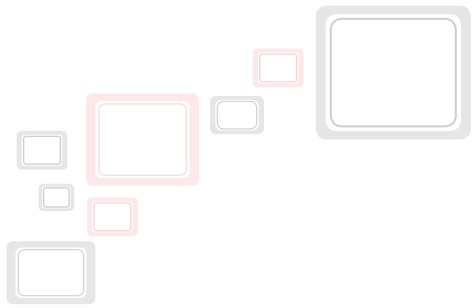
E350C



E350

SIZE

» On next page



ECOTECH



□ E200 FEATURES

- » Adjustable seat height
- » Adjustable back height
- » Adjustable back angle
- » Moulded seat and back foam
- » Back available in two sizes
- » 2 Lever mechanism
- » Optional seat slider
- » Optional adjustable arms
- » 600mm Black nylon base
- » Available in local fabrics
- » AFRDI tested to level 6
- » 7 Year warranty
- » Weight limit is 130kg



E200HC



E200D



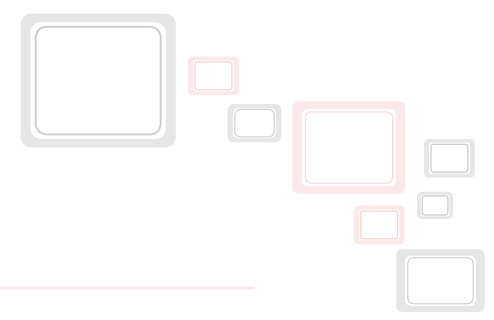
E200H



E200C



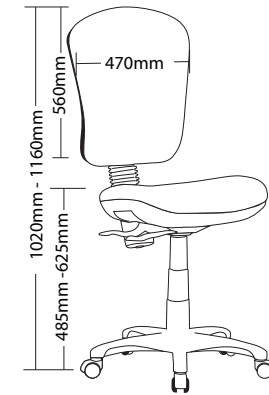
E200



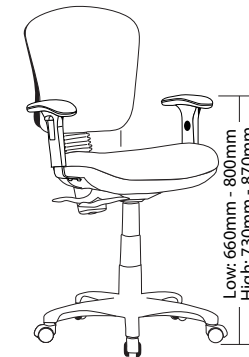
E200 INSTRUCTIONS OF USE



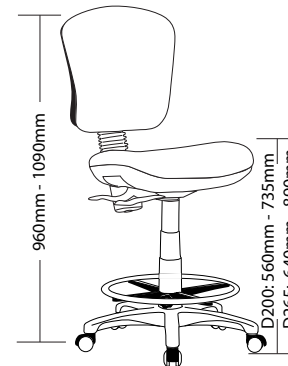
SIZE



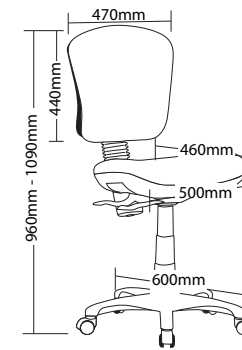
E350H



E350C



E350D



E350



TASK SEATING

ECOTECH MESH



FEATURES

- » Adjustable seat height
- » Adjustable back height
- » Adjustable back angle
- » Adjustable seat angle (with 3 lever mechanism only)
- » Moulded seat foam
- » Mesh back one size only
- » Optional 2 or 3 lever mechanism
- » Optional seat slider
- » Optional adjustable arms
- » 600mm Black nylon base
- » Available in local fabrics
- » 7 Year warranty
- » Weight limit is 130kg

ME350 INSTRUCTIONS OF USE



ECOTECH MESH

WARRANTY **7** Year

WEIGHT LIMIT **130** Kilogram

UPHOLSTERED IN AUSTRALIA



ME350C



ME350D



ME200D



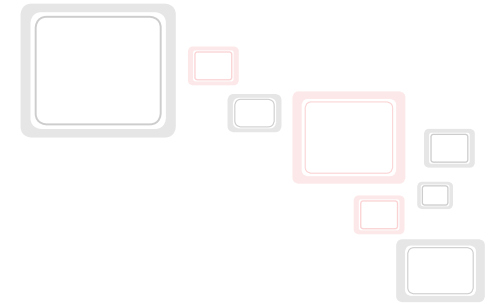
ME350



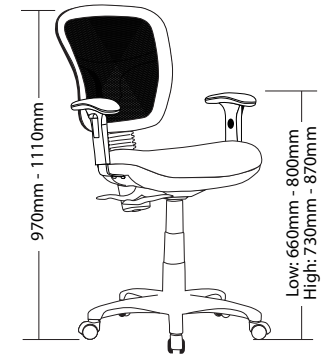
ME200C



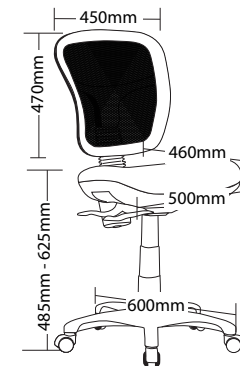
ME200



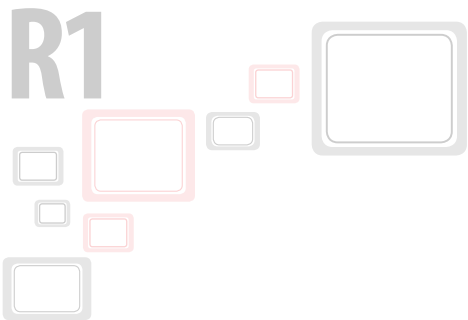
SIZE



ME350C

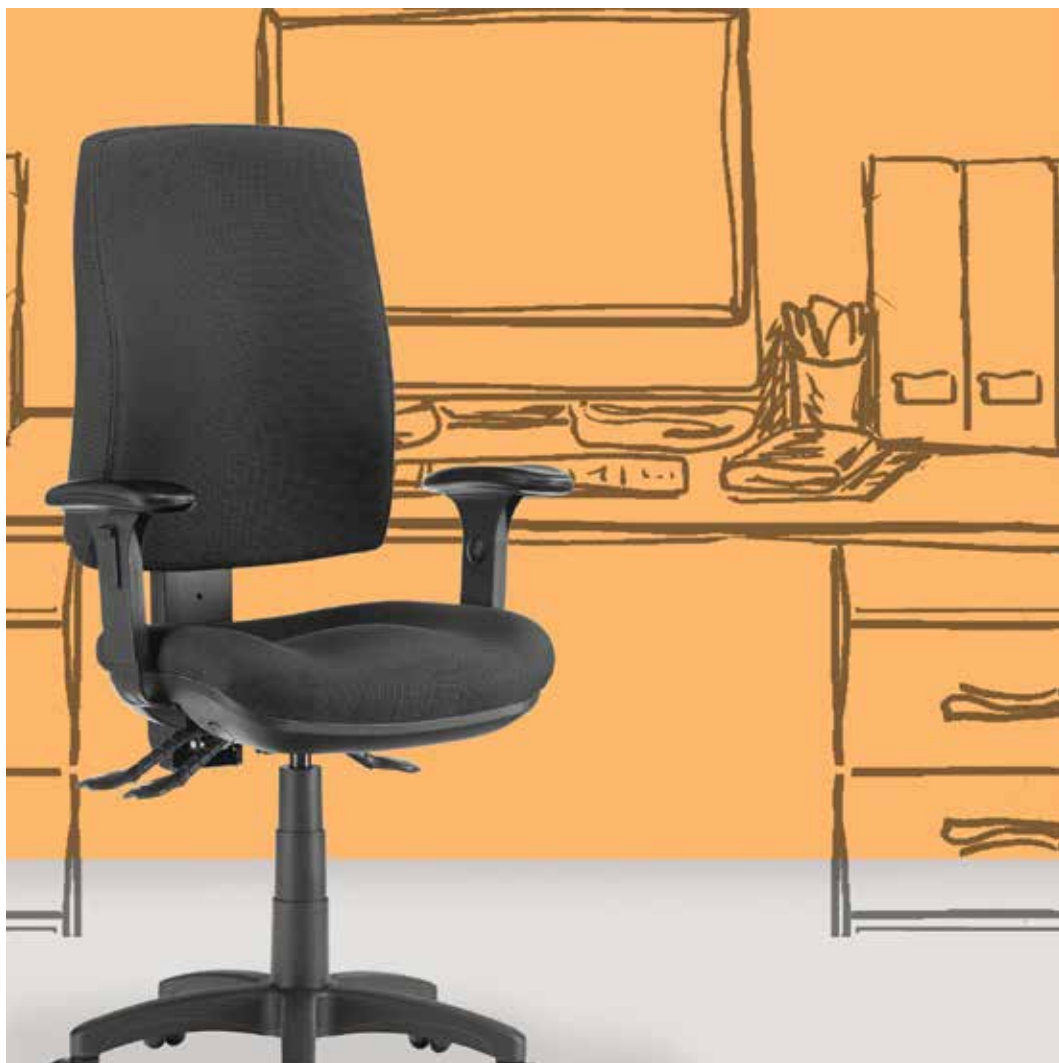


ME350



TASK SEATING

ALPHA



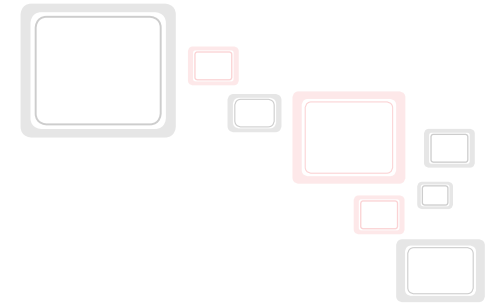
AL350 FEATURES

- » Adjustable seat height
- » Adjustable back height (ratchet)
- » Adjustable seat and back angle
- » Moulded seat and back foam
- » Back available in two sizes
- » 3 Lever mechanism
- » Optional seat slider
- » Optional adjustable arms
- » 600mm Black nylon base
- » Available in local fabrics
- » AFRDI tested to level 6
- » 7 Year warranty
- » Weight limit is 130kg

AL350 INSTRUCTIONS OF USE



ALPHA



AL350HC



AL350D



AL350H



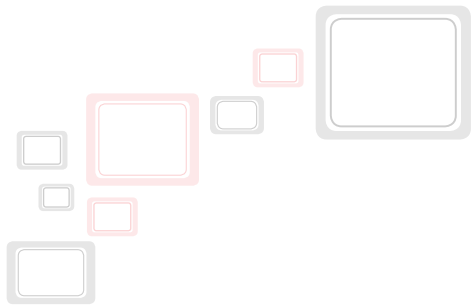
AL350C



AL350

SIZE

» On next page



ALPHA



AL200HC



AL200D



AL200H



AL200C



AL200

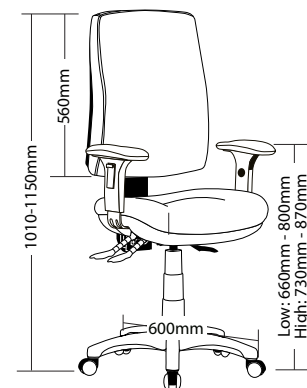
AL200 FEATURES

- » Adjustable seat height
- » Adjustable back height (ratchet)
- » Adjustable back angle
- » Moulded seat and back foam
- » Back available in two sizes
- » 2 Lever mechanism
- » Optional seat slider
- » Optional adjustable arms
- » 600mm Black nylon base
- » Available in local fabrics
- » AFRDI tested to level 6
- » 7 Year warranty
- » Weight limit is 130kg

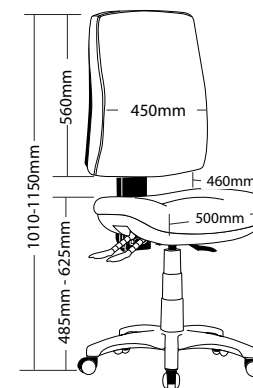
AL200 INSTRUCTIONS OF USE



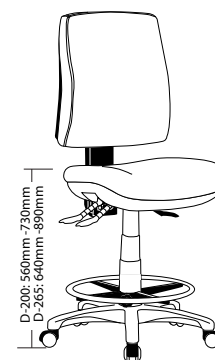
SIZE



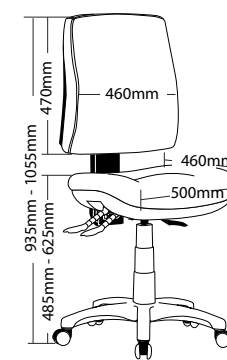
AL350HC



AL350H

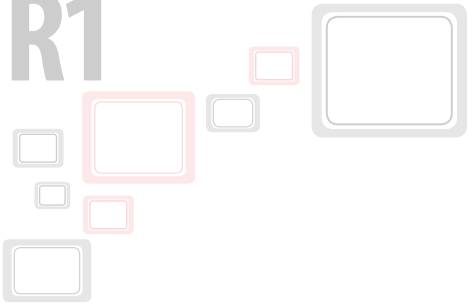


AL350D



AL350

R1



TASK SEATING

VIRGO



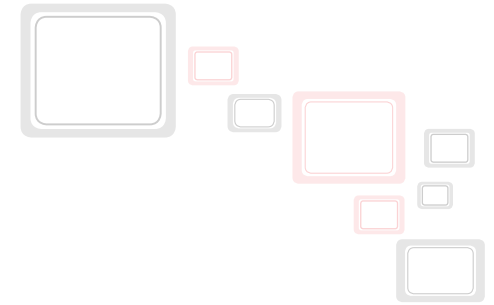
VI350 FEATURES

- » Adjustable seat height
- » Adjustable back height (ratchet)
- » Adjustable seat and back angle
- » Square seat
- » Moulded seat and back foam
- » Back available in two sizes
- » 3 Lever mechanism
- » Optional seat slider
- » Optional adjustable arms
- » 660mm Black nylon base
- » Available in local fabrics
- » AFRDI tested to level 6
- » 7 Year warranty
- » Weight limit is 130kg

VI350 INSTRUCTIONS OF USE



VIRGO



VI350HC



VI350D



VI350H



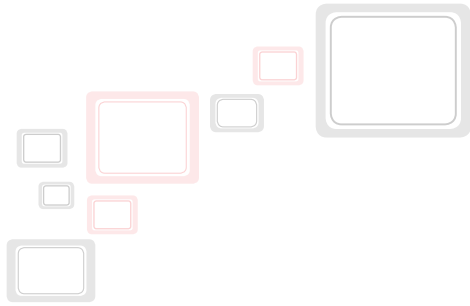
VI350C



VI350

SIZE

» On next page



VIRGO



VI200HC



VI200D

VI200 FEATURES

- » Adjustable seat height
- » Adjustable back height (ratchet)
- » Adjustable back angle
- » Square seat
- » Moulded seat and back foam
- » Back available in two sizes
- » 2 Lever mechanism
- » Optional seat slider
- » Optional adjustable arms
- » 660mm Black nylon base
- » Available in local fabrics
- » AFRDI tested to level 6
- » 7 Year warranty
- » Weight limit is 130kg



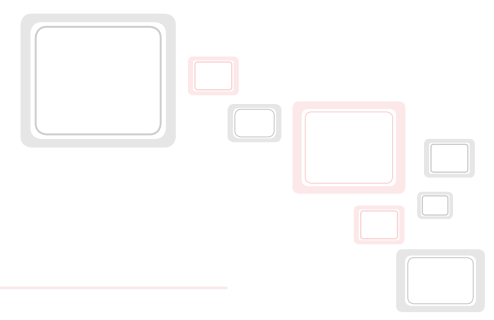
VI200H



VI200C



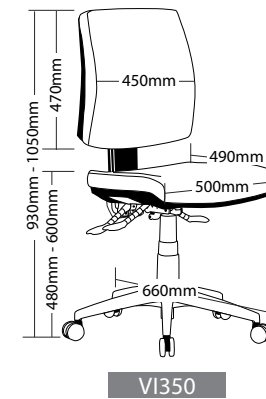
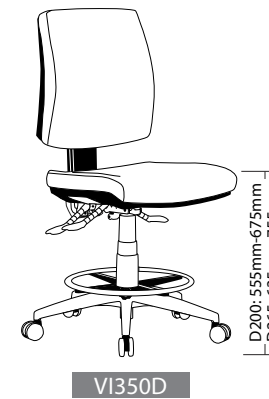
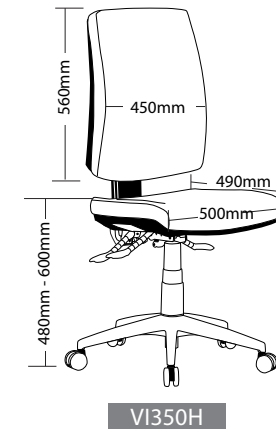
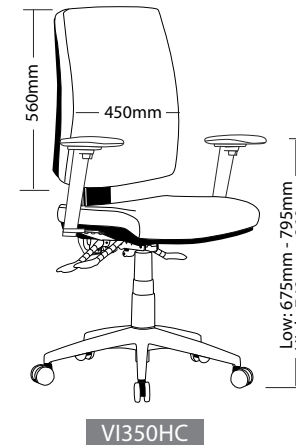
VI200



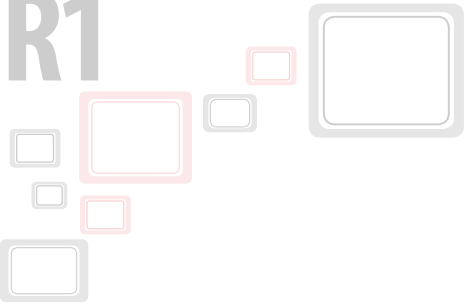
VI200 INSTRUCTIONS OF USE



SIZE



R1



TASK SEATING

VESTA



□ MVE350 FEATURES

- » Adjustable seat height
- » Adjustable back height (ratchet)
- » Adjustable seat and back angle
- » Square seat
- » Moulded seat foam
- » Back available in two sizes
- » 3 Lever mechanism
- » Optional seat slider
- » Optional adjustable arms
- » 660mm Black nylon base
- » Available in local fabrics
- » Back mesh available in Jazz mesh
- » AFRDI tested to level 6
- » 7 Year warranty
- » Weight limit is 130kg

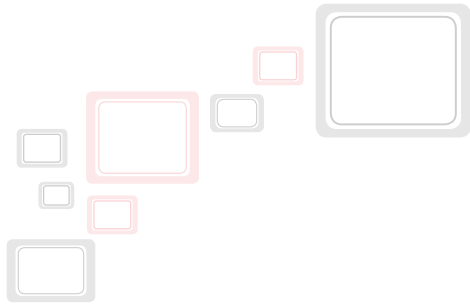
□ MVE350 INSTRUCTIONS OF USE



VESTA

BACK MESH AVAILABLE IN JAZZ MESH





VESTA



MVE350H



MVE350H
back view

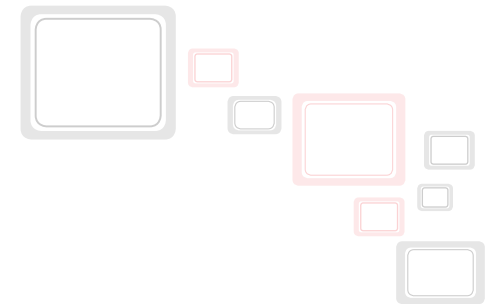


MVE350H
Side view

MVE350 FEATURES

- » Adjustable seat height
- » Adjustable back height (ratchet)
- » Adjustable seat and back angle
- » Square seat
- » Moulded seat foam
- » Back available in two sizes
- » 3 Lever mechanism
- » Optional seat slider
- » Optional adjustable arms
- » 660mm Black nylon base
- » Available in local fabrics
- » Back mesh available in Jazz mesh
- » AFRDI tested to level 6
- » 7 Year warranty
- » Weight limit is 130kg

VESTA



MVE350HC



MVE350D



MVE350H



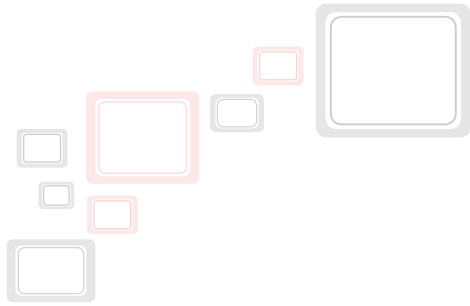
MVE350C



MVE350

SIZE

» On next page



VESTA



MVE200 FEATURES

- » Adjustable seat height
- » Adjustable back height (ratchet)
- » Adjustable back angle
- » Square seat
- » Moulded seat foam
- » Back available in two sizes
- » 2 Lever mechanism
- » Optional seat slider
- » Optional adjustable arms
- » 660mm Black nylon base
- » Available in local fabrics
- » Back mesh available in Jazz mesh
- » AFRDI tested to level 6
- » 7 Year warranty
- » Weight limit is 130kg



MVE200HC



MVE200D



MVE200H



MVE200C

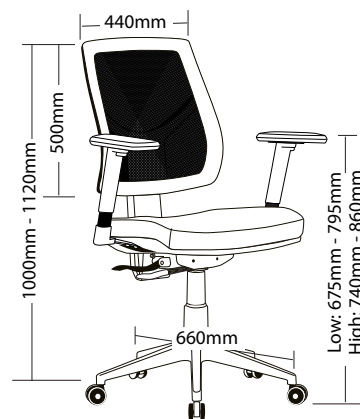


MVE200

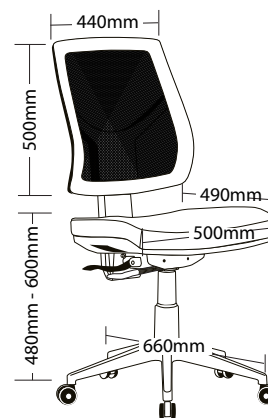
□ MVE200 INSTRUCTIONS OF USE



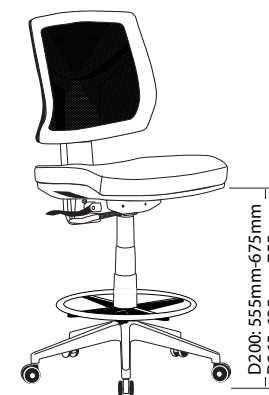
□ SIZE



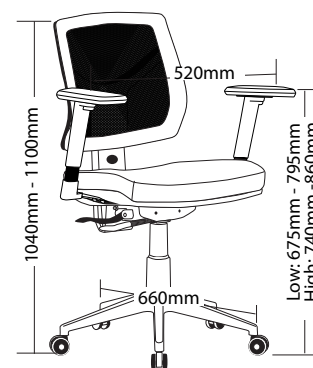
MVE350HC



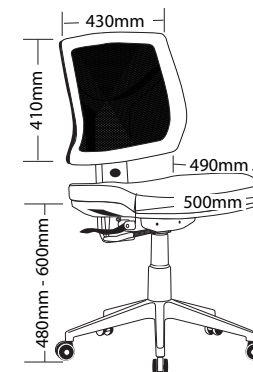
MVE350H



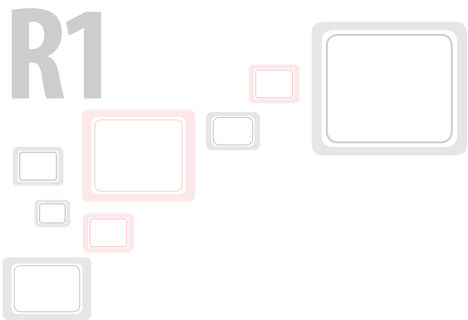
MVE350D



MVE350C

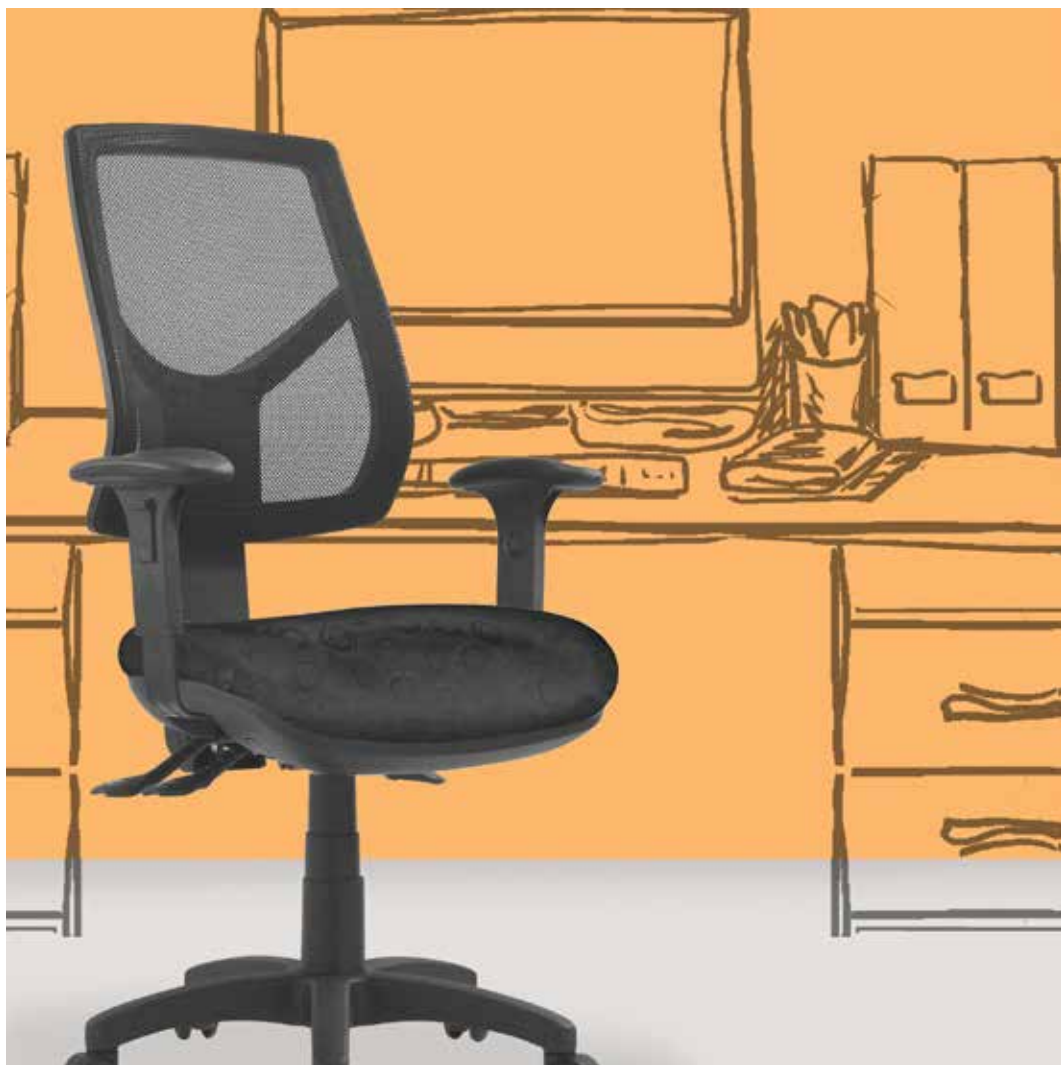


MVE350



TASK SEATING

AVOCA



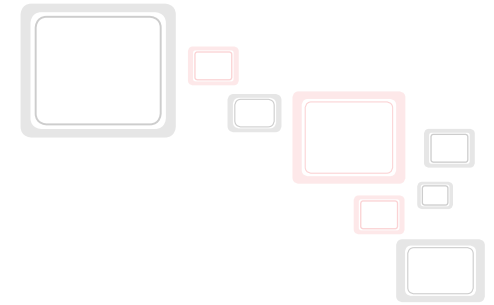
MAV350 FEATURES

- » Adjustable seat height
- » Adjustable back height (ratchet)
- » Adjustable seat and back angle
- » Moulded seat foam
- » Back available in two sizes
- » 3 Lever mechanism
- » Optional seat slider
- » Optional adjustable arms
- » 600mm Black nylon base
- » Available in local fabrics
- » Back mesh available in Jazz mesh
- » AFRDI tested to level 6
- » 7 Year warranty
- » Weight limit is 130kg

MAV350 INSTRUCTIONS OF USE



AVOCA



MAV350HC



MAV350D

SIZE

» On next page



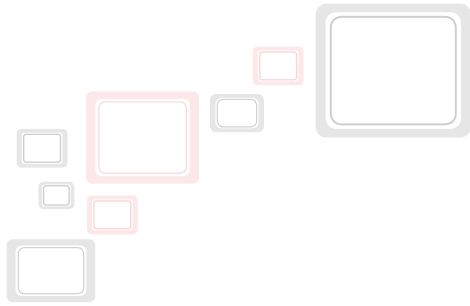
MAV350H



MAV350C



MAV350



AVOCA



MAV200HC



MAV200D



MAV200H



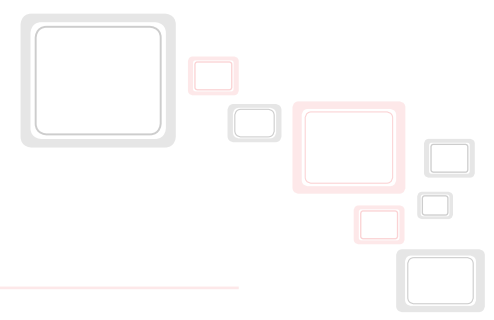
MAV200C



MAV200

MAV200 FEATURES

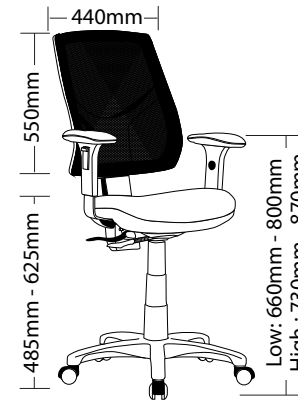
- » Adjustable seat height
- » Adjustable back height (ratchet)
- » Adjustable back angle
- » Moulded seat foam
- » Back available in two sizes
- » 2 Lever mechanism
- » Optional seat slider
- » Optional adjustable arms
- » 600mm Black nylon base
- » Available in local fabrics
- » Back mesh available in Jazz mesh
- » AFRDI tested to level 6
- » 7 Year warranty
- » Weight limit is 130kg



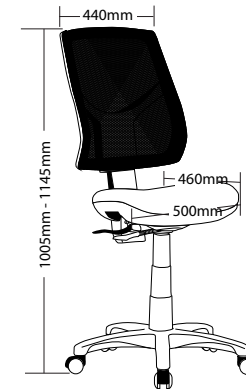
MAV200 INSTRUCTIONS OF USE



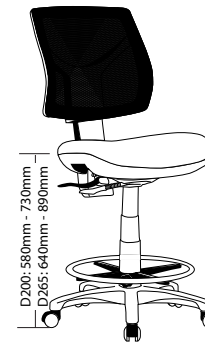
SIZE



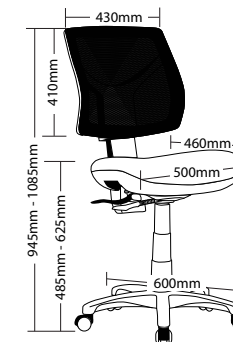
MAV350HC



MAV350H

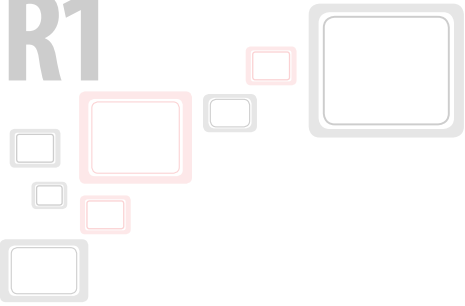


MAV350D



MAV350

R1



TASK SEATING

SAFARI



SA350 FEATURES

- » Adjustable seat height
- » Adjustable back height (ratchet)
- » Adjustable seat and back angle
- » Moulded seat and back foam
- » Back available in two sizes
- » Big boy seat and under pan
- » Firm kidney and lumbar support
- » 3 Lever mechanism
- » Optional adjustable arms
- » 700mm Heavy duty black nylon 6 star base
- » Available in local fabrics
- » 7 Year warranty
- » Weight limit is 130kg

SA350 INSTRUCTIONS OF USE



SAFARI



SA350HC



SA350D



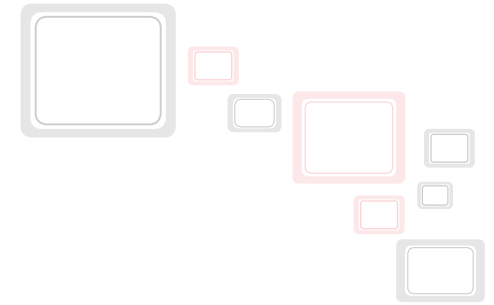
SA350H



SA350C

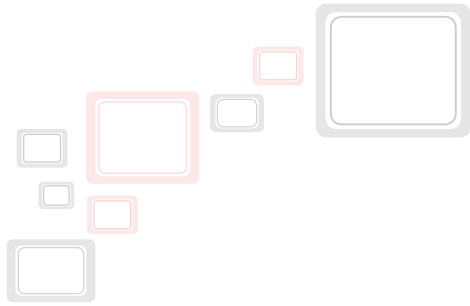


SA350



SIZE

» On next page



SAFARI



SA200 FEATURES

- » Adjustable seat height
- » Adjustable back height (ratchet)
- » Adjustable back angle
- » Moulded seat and back foam
- » Back available in two sizes
- » Big boy seat and under pan
- » Firm kidney and lumbar support
- » 2 Lever mechanism
- » Optional adjustable arms
- » 700mm Heavy duty black nylon 6 star base
- » Available in local fabrics
- » 7 Year warranty
- » Weight limit is 130kg



SA200HC



SA200D



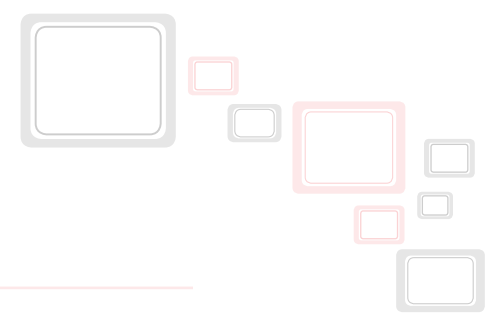
SA200H



SA200C



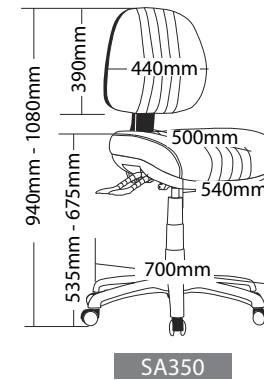
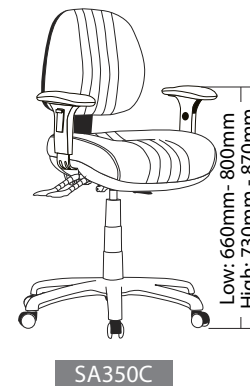
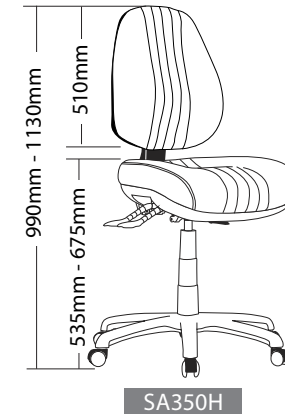
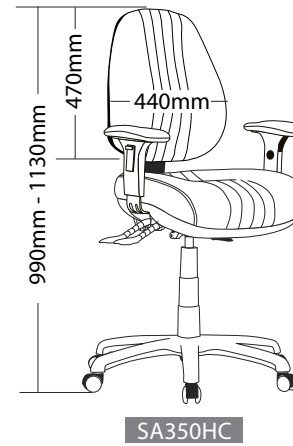
SA200



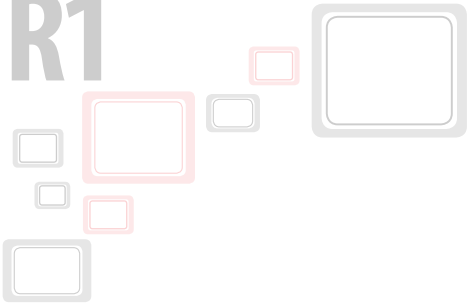
SA200 INSTRUCTIONS OF USE



SIZE



R1



TASK SEATING

CHELSEA



FEATURES

- » Adjustable seat height
- » Adjustable back height (ratchet)
- » Adjustable back and seat angle
- » Adjustable weight tension
- » Moulded seat foam
- » Mesh back available in two sizes
- » Big boy seat and under pan
- » 3 Lever ergonomic heavy duty mechanism
- » Optional adjustable arms
- » Chair not available with drafting kit
- » 700mm Black nylon base
- » Available in local fabrics
- » Back mesh available in Jazz mesh
- » AFRDI tested to level 6
- » 7 Year warranty
- » Weight limit is 140kg

INSTRUCTIONS OF USE



CHELSEA

WARRANTY
7
Year

WEIGHT LIMIT
140
Kilogram

UPHOLSTERED
IN AUSTRALIA

AFRDI

furntech
Australian
Furniture
Research &
Development
Institute
MEMBER



MCH600HC



MCH600H

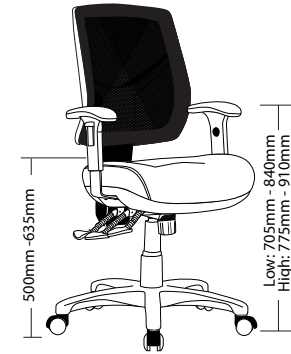


MCH600LC

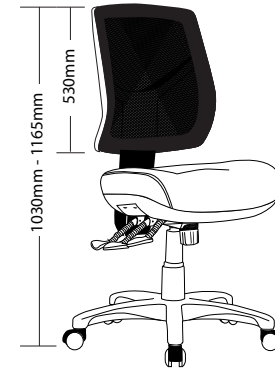


MCH600L

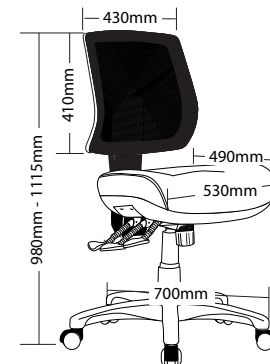
SIZE



MCH600HC

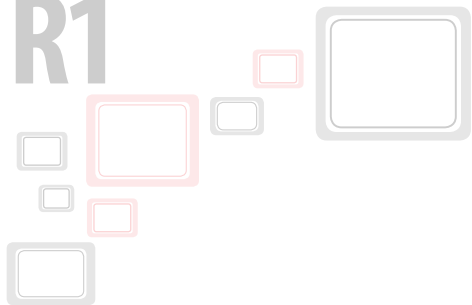


MCH600H



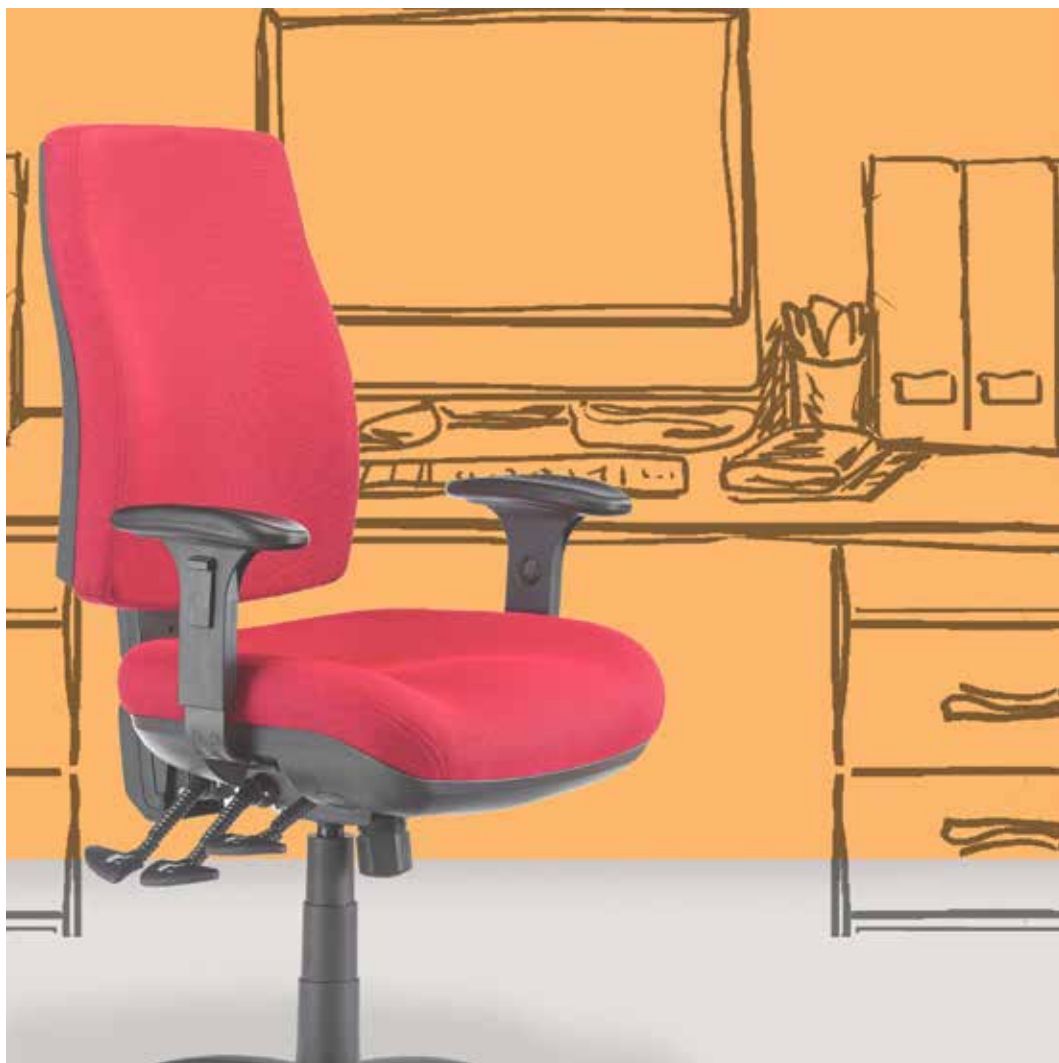
MCH600L

R1



TASK SEATING

GALAXY



FEATURES

- » Adjustable seat height
- » Adjustable back height (ratchet)
- » Adjustable back and seat angle
- » Adjustable weight tension
- » Moulded seat and back foam
- » Back available in two sizes
- » Big boy seat and under pan
- » 3 Lever ergonomic heavy duty mechanism
- » Optional adjustable arms
- » Chair not available with drafting kit
- » 700mm Black nylon base
- » Available in local fabrics
- » AFRDI tested to level 6
- » 7 Year warranty
- » Weight limit is 140kg

INSTRUCTIONS OF USE



GALAXY

WARRANTY
7
Year

WEIGHT LIMIT
140
Kilogram

UNADJUSTED
IN AUSTRALIA

AFRDI

furntech
Australian
Furniture
Research &
Development
Institute
MEMBER



GA600HC



GA600H

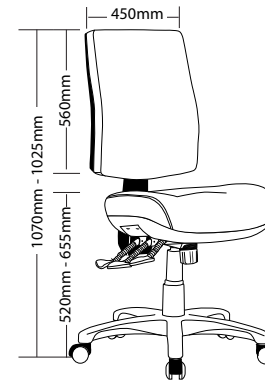


GA600LC

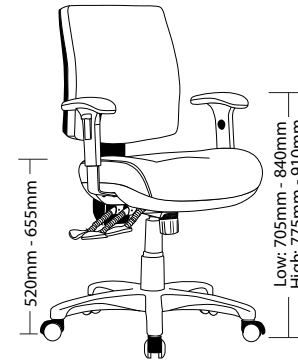


GA600L

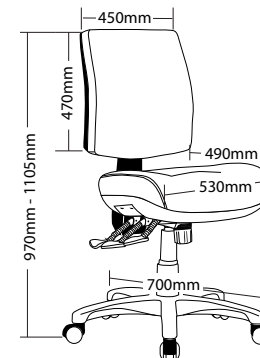
SIZE



GA600H

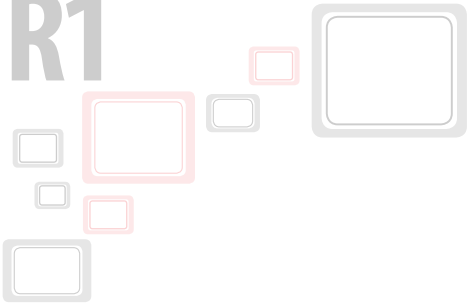


GA600LC



GA600L

R1



TASK SEATING

EPIC



FEATURES

- » Adjustable seat height
- » Adjustable back height (ratchet)
- » Adjustable seat and back angle
- » Adjustable weight tension
- » Moulded seat and back foam
- » Mega big boy seat
- » 3 Lever heavy duty ergonomic mechanism
- » Optional adjustable arms
- » Chair not available with drafting kit
- » 700mm Black nylon base
- » Available in local fabrics
- » AFRDI tested to level 6
- » 7 Year warranty
- » Weight limit is 140kg

INSTRUCTIONS OF USE



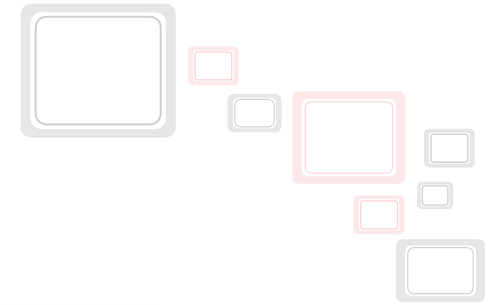
EPIC



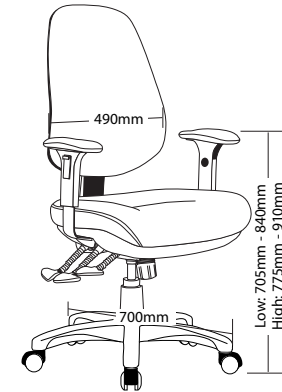
EPIC-C



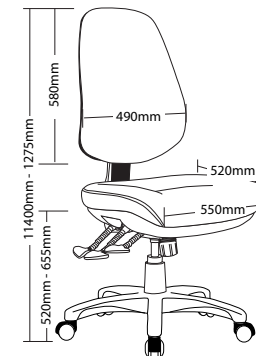
EPIC



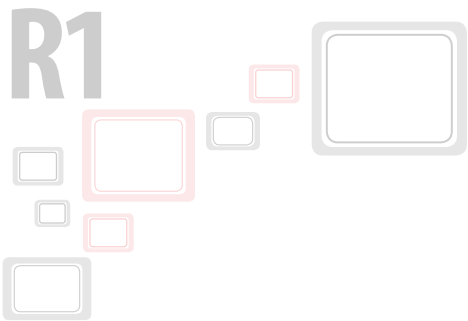
SIZE



EPIC-C



EPIC



TASK SEATING

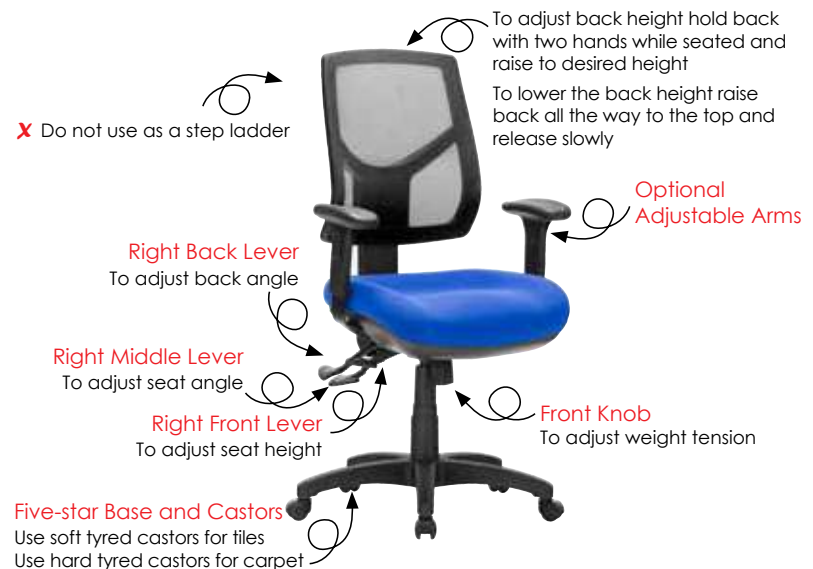
MEGA



FEATURES

- » Adjustable seat height
- » Adjustable back height (ratchet)
- » Adjustable seat and back angle
- » Adjustable weight tension
- » Moulded seat foam
- » Mega big boy seat
- » Mesh back
- » 3 Lever heavy duty ergonomic mechanism
- » Optional adjustable arms
- » Chair not available with drafting kit
- » 700mm Black nylon base
- » Available in local fabrics
- » Back mesh available in Jazz mesh
- » AFRDI tested to level 6
- » 7 Year warranty
- » Weight limit is 140kg

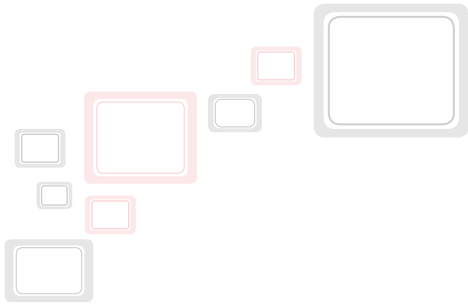
INSTRUCTIONS OF USE



MEGA

BACK MESH AVAILABLE IN JAZZ MESH





MEGA



FEATURES

- » Adjustable seat height
- » Adjustable back height (ratchet)
- » Adjustable seat and back angle
- » Adjustable weight tension
- » Moulded seat foam
- » Mega big boy seat
- » Mesh back
- » 3 Lever heavy duty ergonomic mechanism
- » Optional adjustable arms
- » Chair not available with drafting kit
- » 700mm Black nylon base
- » Available in local fabrics
- » Back mesh available in Jazz mesh
- » AFRDI tested to level 6
- » 7 Year warranty
- » Weight limit is 140kg



MEGA



MEGA
Back view



MEGA
Side view

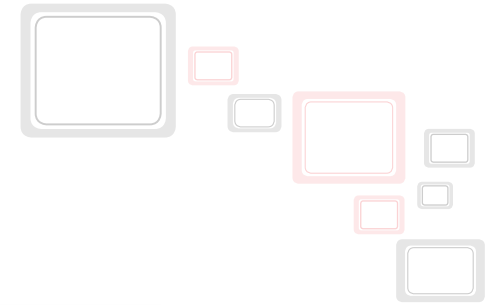
MEGA



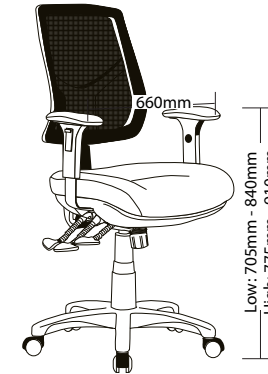
MEGA-C



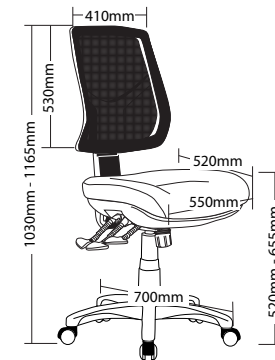
MEGA-C
Back view



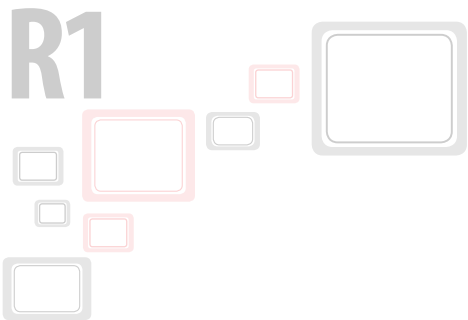
SIZE



MEGA-C



MEGA



TASK SEATING

SPIRAL



FEATURES

- » Adjustable seat height
- » Adjustable back height (ratchet)
- » Adjustable seat and back angle
- » Adjustable weight tension
- » Moulded seat and back foam
- » Mega big boy seat
- » 3 Lever heavy duty ergonomic mechanism
- » Optional adjustable arms
- » Chair not available with drafting kit
- » 700mm Black nylon base
- » Available in local fabrics
- » AFRDI tested to level 6
- » 7 Year warranty
- » Weight limit is 140kg

INSTRUCTIONS OF USE



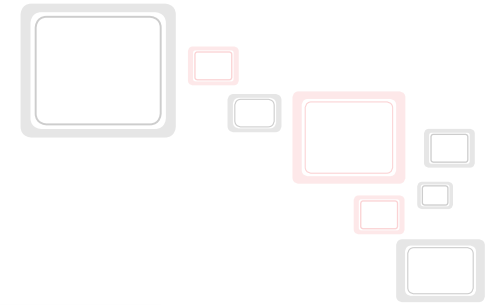
SPIRAL



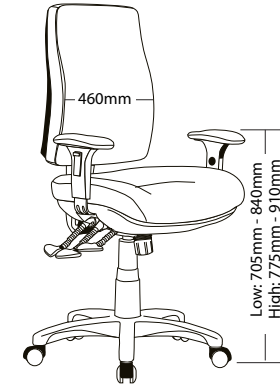
SPIRAL-C



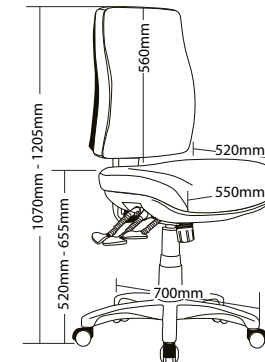
SPIRAL



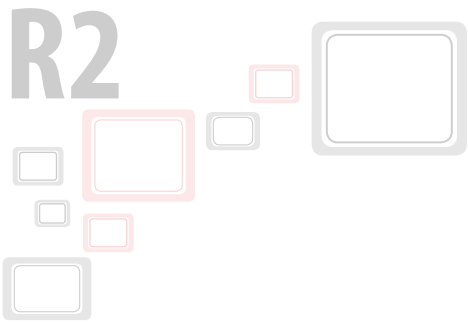
SIZE



SPIRAL-C



SPIRAL



MULTISHIFT SEATING

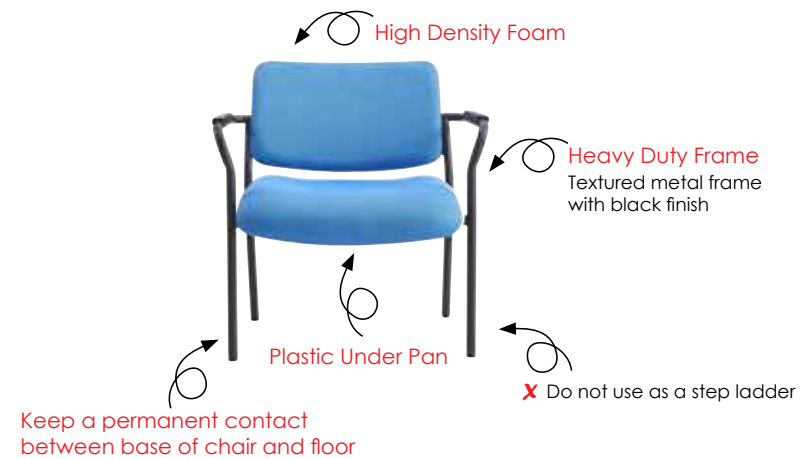
ROTARY



FEATURES

- » Heavy duty black textured metal frame
- » High density foam
- » Available in 2 seat widths
- » Plastic under pan
- » Available in local fabrics
- » 7 Year warranty
- » Weight limit is 200kg

INSTRUCTIONS OF USE

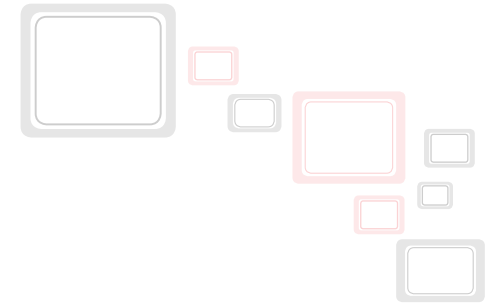


ROTARY

WARRANTY
7
Year

WEIGHT LIMIT
200
Kilogram

UPHOLSTERED
IN AUSTRALIA



ROTARY-700

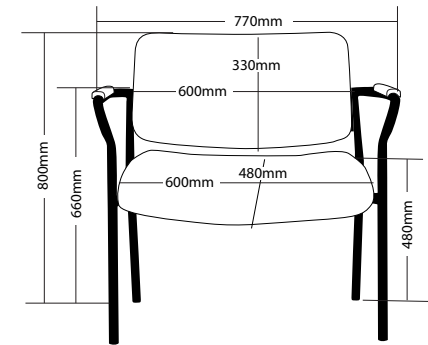


ROTARY
Side view

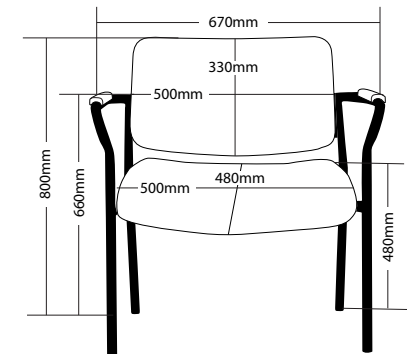


ROTARY-600

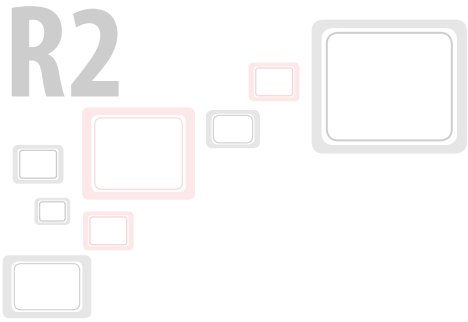
SIZE



ROTARY-700



ROTARY-600



MULTISHIFT SEATING

MULTI



FEATURES

- » Adjustable seat height
- » Adjustable seat depth
- » Adjustable seat and back angle
- » Adjustable arms
- » Mesh back
- » Moulded seat foam
- » 700mm Aluminium base
- » Low back only has ratchet back
- » 4 Lever ergonomic mechanism
- » Available in local fabrics
- » 10 Year warranty
- » Weight limit is 140kg

INSTRUCTIONS OF USE



MULTI

WARRANTY
10
Year

WEIGHT LIMIT
140
Kilogram

UPHOLSTERED
IN AUSTRALIA



MUEX1H

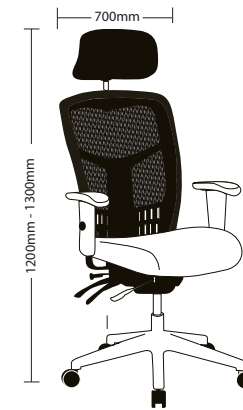


MUEX1M

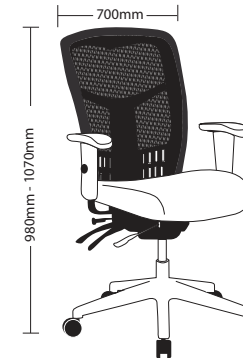


MUEX1L

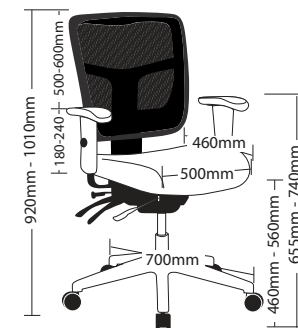
SIZE



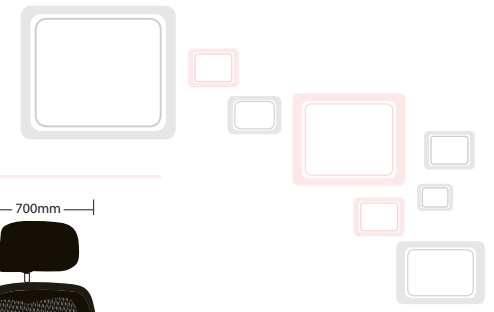
MUEX1H

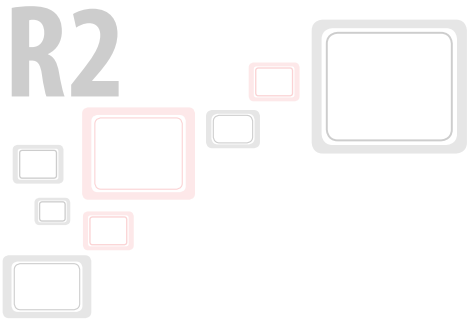


MUEX1M



MUEX1L





MULTISHIFT SEATING

ROVER



FEATURES

- » Adjustable seat height
- » Adjustable back height (ratchet)
- » Adjustable seat and back angle
- » Adjustable weight tension
- » Adjustable arms
- » Moulded seat and back foam
- » 4 Lever ergonomic mechanism
- » Available in low and high back
- » 700mm Black nylon base
- » Available in local fabrics
- » 10 Year warranty
- » Weight limit is 140kg

INSTRUCTIONS OF USE

To adjust back height hold back with two hands while seated and raise to desired height

To lower the back height raise back all the way to the top and release slowly

X Do not use as a step ladder



ROVER

WARRANTY
10
Year

WEIGHT LIMIT
140
Kilogram

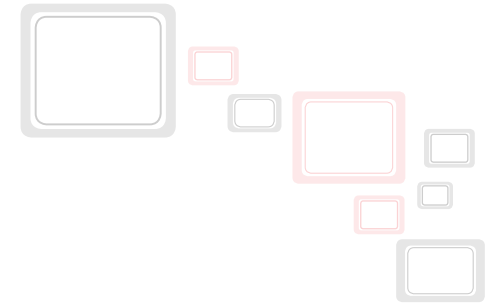
UPHOLSTERED
IN AUSTRALIA



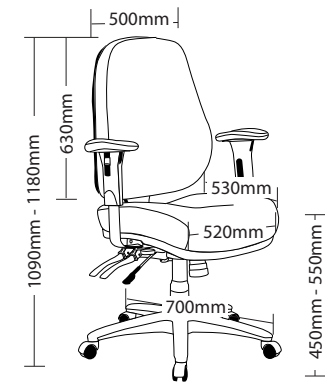
ROVER-2HA



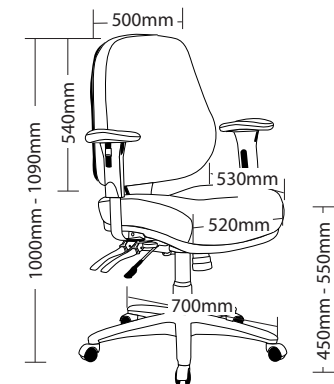
ROVER-2LA



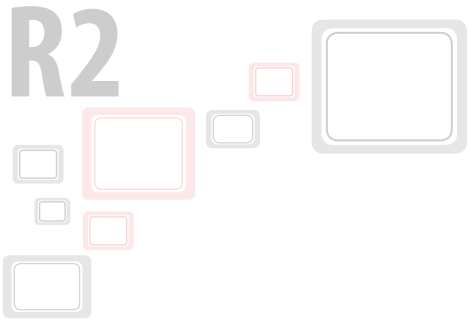
SIZE



ROVER-2HA



ROVER-2LA



MULTISHIFT SEATING

RANGER



FEATURES

- » Adjustable seat height
- » Adjustable seat depth
- » Adjustable seat and back angle
- » Adjustable headrest
- » Adjustable arms
- » Adjustable weight tension
- » Moulded seat and back foam
- » Synchron mechanism with 3 locking positions
- » Double steel strengthened for both seat and back
- » Saddle seat
- » AFRDI tested to level 6
- » AFRDI tested to multi shift use 160kg
- » 720mm Aluminium base
- » Available in local fabrics
- » 7 Year warranty
- » Weight limit is 160kg

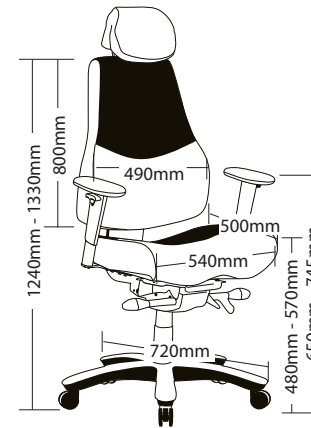


RANGER



RANGER-U

SIZE

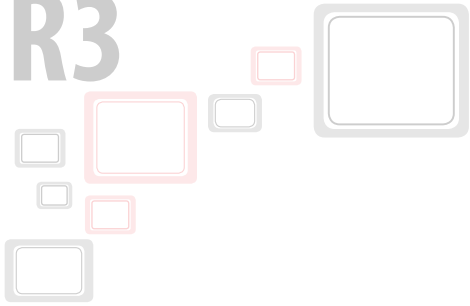


RANGER

INSTRUCTIONS OF USE



R3



EXECUTIVE SEATING

CLUB



FEATURES

- » Adjustable seat height
- » Adjustable seat and back angle
- » Adjustable weight tension
- » Available in low and high back
- » Aluminium arms
- » 700mm Aluminium base
- » Knee tilt mechanism with 3 locking positions
- » Available in local fabrics
- » 5 Year warranty
- » Weight limit is 120kg

INSTRUCTIONS OF USE



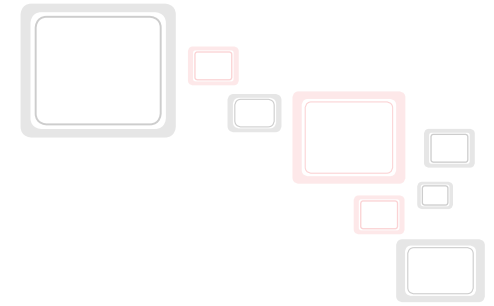
CLUB



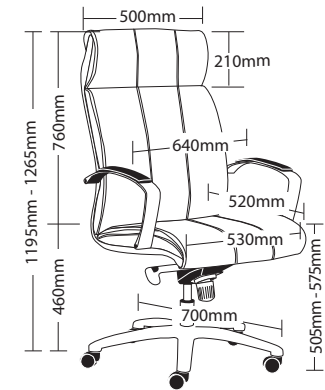
CLUB-H



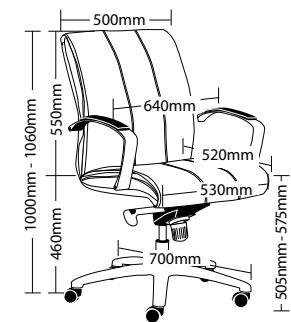
CLUB-L



SIZE

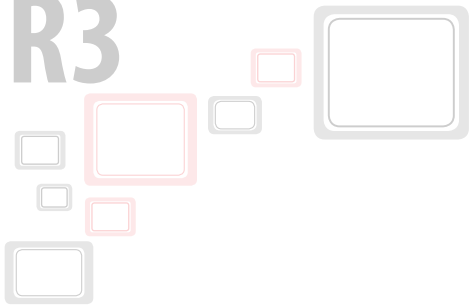


CLUB-H



CLUB-L

R3



EXECUTIVE SEATING

SLATE



FEATURES

- » Adjustable seat height
- » Adjustable seat and back angle
- » Adjustable weight tension
- » Adjustable chrome arms
- » Available in low and high back
- » 700mm Aluminium base
- » Synchron mechanism with 3 locking positions
- » Available in local fabrics
- » 5 Year warranty
- » Weight limit is 120kg

INSTRUCTIONS OF USE



SLATE

WARRANTY **5** Year

WEIGHT LIMIT **120** Kilogram

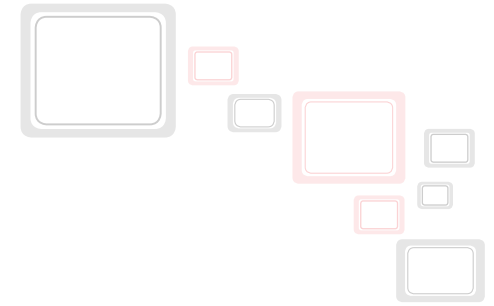
UPHOLSTERED IN AUSTRALIA



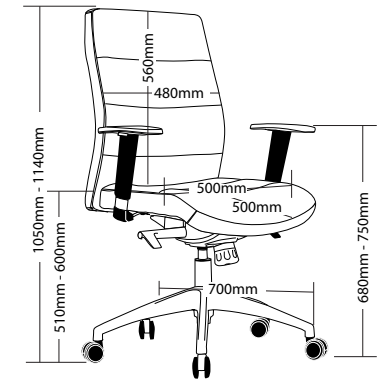
SLATE-H



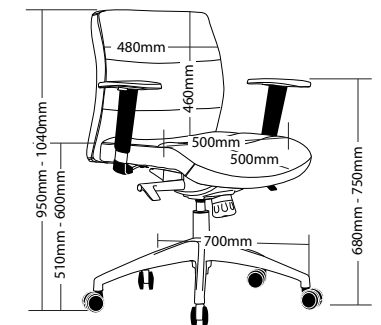
SLATE-L



SIZE

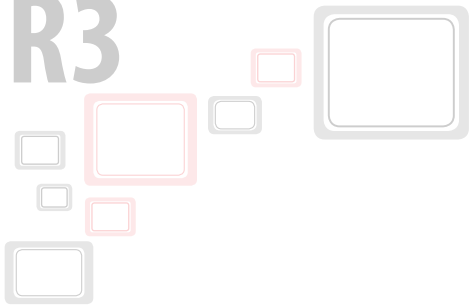


SLATE-H



SLATE-L

R3



EXECUTIVE SEATING

FORGE



FEATURES

- » Adjustable seat height
- » Adjustable seat depth
- » Adjustable weight tension
- » Adjustable chrome arms
- » Available in low and high back
- » Synchron mechanism with 3 locking positions
- » 700mm Aluminium base
- » Available in local fabrics
- » 5 Year warranty
- » Weight limit is 120kg

INSTRUCTIONS OF USE

✗ Do not use as a step ladder

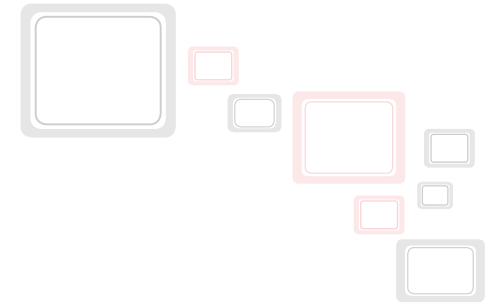


FORGE

WARRANTY **5** Year

WEIGHT LIMIT **120** Kilogram

UPHOLSTERED IN AUSTRALIA

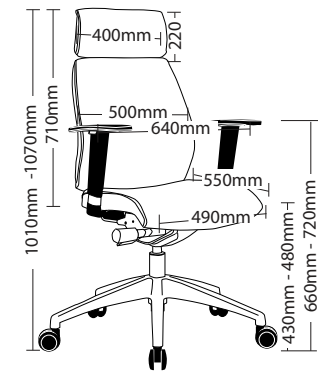


FORGE-H

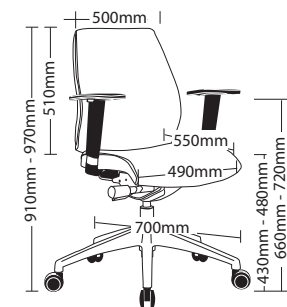


FORGE-L

SIZE

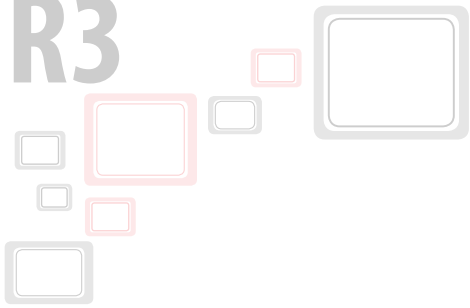


FORGE-H



FORGE-L

R3



EXECUTIVE SEATING

REGAL



FEATURES

- » Adjustable seat height
- » Adjustable seat and back angle
- » Adjustable weight tension
- » Adjustable chrome arms
- » Saddle seat
- » Synchron mechanism with 3 locking positions
- » Moulded back foam
- » Optional headrest
- » 700mm Aluminium base
- » Available in local fabrics
- » 5 Year warranty
- » Weight limit is 130kg

INSTRUCTIONS OF USE



REGAL

WARRANTY
5
Year

WEIGHT LIMIT
130
Kilogram

UPHOLSTERED
IN AUSTRALIA



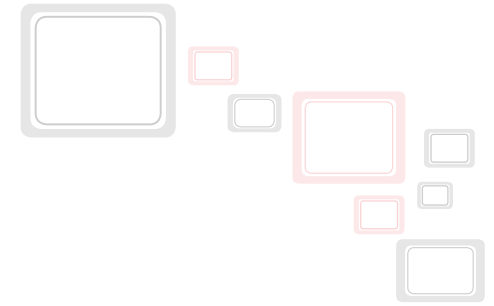
REGAL-H



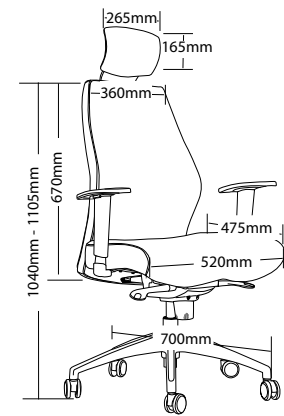
REGAL-L



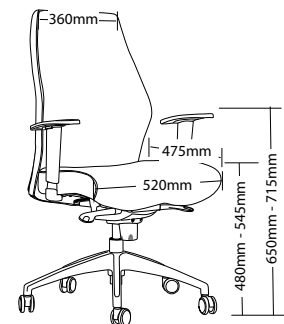
REGAL-H
Back view



SIZE

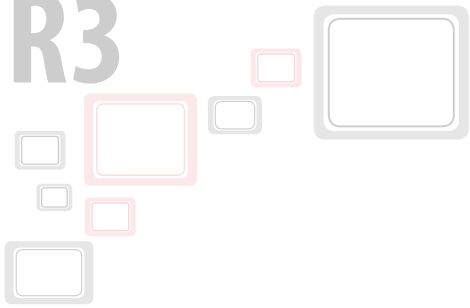


REGAL-H



REGAL-L

R3



EXECUTIVE SEATING

AUSTIN



FEATURES

- » Adjustable seat height
- » Adjustable seat and back angle
- » Adjustable weight tension
- » Adjustable arms
- » Plastic under pan
- » Moulded seat and back foam
- » Synchron mechanism with 3 locking positions
- » 700mm Heavy duty black nylon base
- » Available in local fabrics
- » 5 Year warranty
- » Weight limit is 130kg

INSTRUCTIONS OF USE

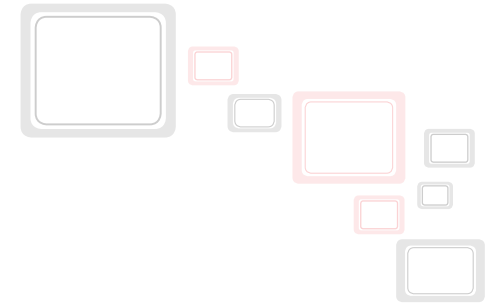


AUSTIN

WARRANTY **5** Year

WEIGHT LIMIT **130** Kilogram

UNREGISTERED IN AUSTRALIA



AUSTIN-H

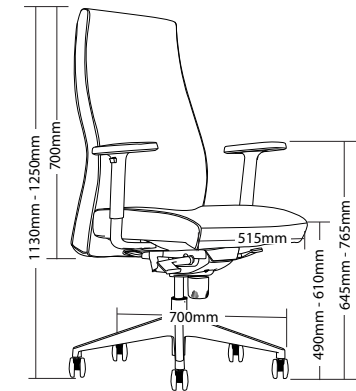


AUSTIN-L

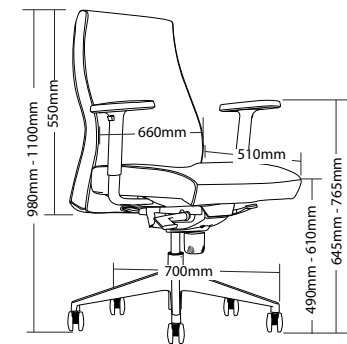


AUSTIN-H
Back view

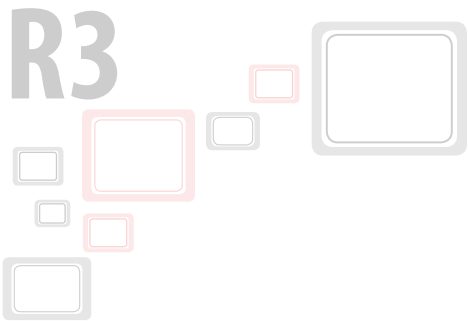
SIZE



AUSTIN-H



AUSTIN-L



EXECUTIVE SEATING

ACURA



FEATURES

ACURA-H/ACURA-L FEATURES

- » Adjustable seat height
- » Adjustable seat and back angle
- » Adjustable weight tension
- » Aluminium arms
- » High density foam
- » Knee tilt mechanism with 3 lockable positions
- » 700mm Aluminium base
- » Available in all local fabrics
- » 5 Year Warranty
- » Weight limit is 120kg

ACURA VC FEATURES

- » Chrome frame
- » High density foam
- » Available in all local fabrics
- » 5 Year warranty
- » Weight limit is 120kg

INSTRUCTIONS OF USE

X Do not use as a step ladder



ACURA

WARRANTY
5
Year

WEIGHT LIMIT
120
Kilogram

UPHOLSTERED
IN
AUSTRALIA



ACURA-H

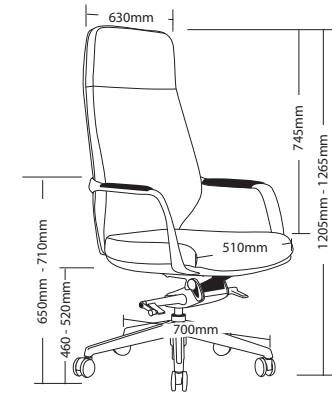


ACURA-L

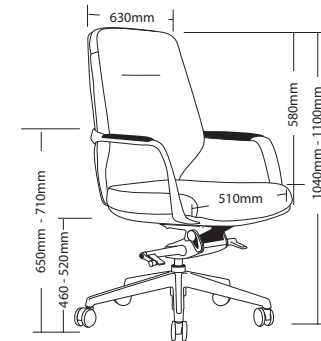


ACURA-VC

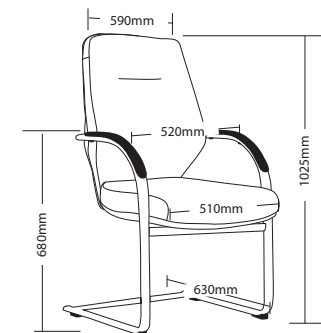
SIZE



ACURA-H



ACURA-L



ACURA-VC

R4



HOSPITALITY SEATING

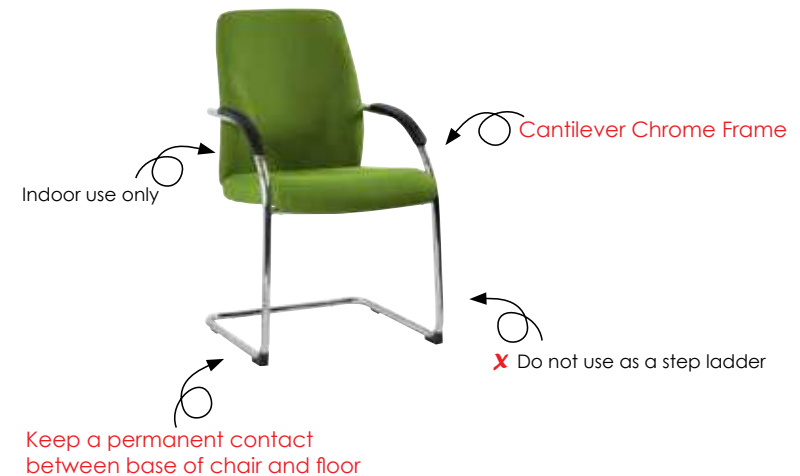
ASTRA



FEATURES

- » Cantilever chrome frame
- » Suitable for indoor use only
- » Available in local fabrics
- » 3 Year warranty
- » Weight limit is 120kg

INSTRUCTIONS OF USE

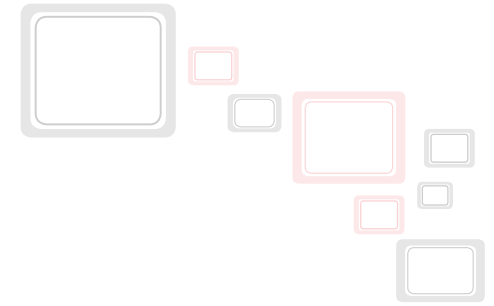


ASTRA

WARRANTY
3
Year

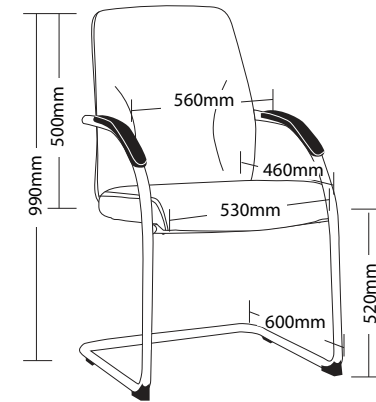
WEIGHT LIMIT
120
Kilogram

UPHOLSTERED
IN AUSTRALIA



ASTRA

SIZE



ASTRA

R4



HOSPITALITY SEATING

DONA



FEATURES

- » Stackable
 - » Maximum 10 chairs on trolley
 - » Maximum 3 chairs on floor
- » Sled base chrome frame
- » Suitable for indoor use only
- » Linkable
- » Plastic arm pads
- » Available in black, red and white plastic
- » Available in local fabrics
- » 3 Year warranty
- » Weight limit is 120kg

PLASTIC COLOUR



INSTRUCTIONS OF USE



DONA

WARRANTY
3
Year

WEIGHT LIMIT
120
Kilogram

UPHOLSTERED
IN AUSTRALIA



DONA-BU



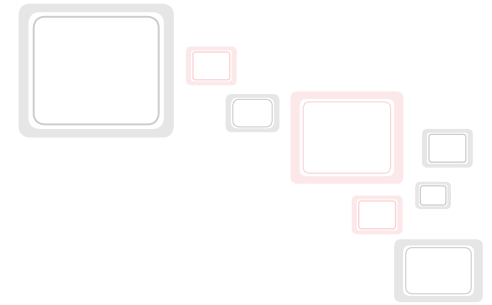
DONA-RU



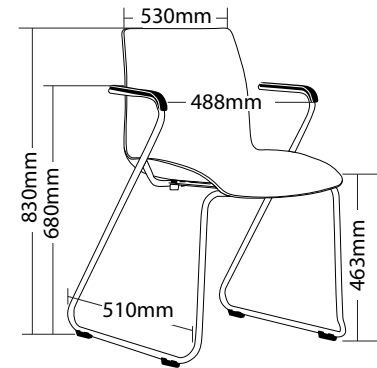
DONA-WU



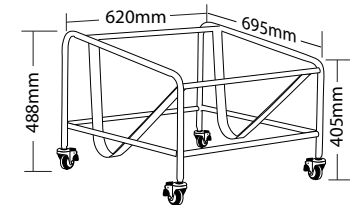
DONA-TRL



SIZE

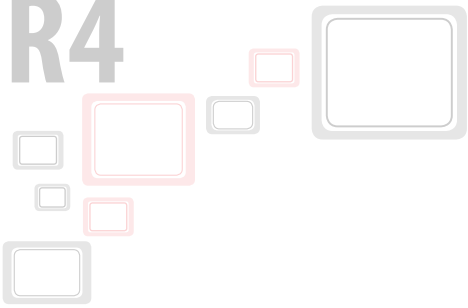


DONA



DONA-TRL

R4



HOSPITALITY SEATING

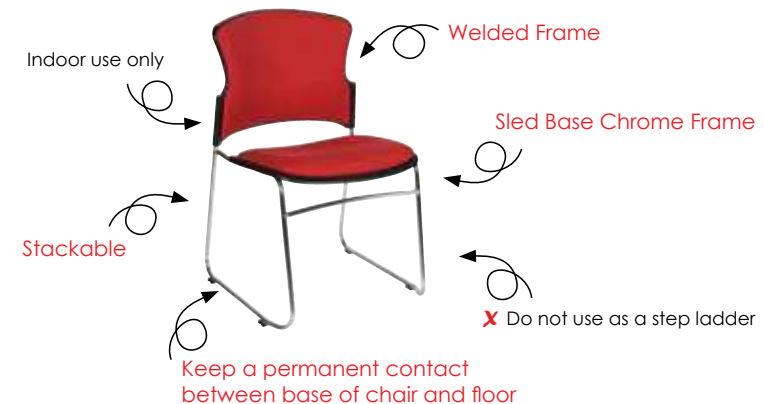
FOCUS



FEATURES

- » Multi purpose stackable client chair
 - » Maximum 10 chairs on trolley
 - » Maximum 5 chairs on floor
 - » Not stackable with tablet arms
- » Suitable for indoor only
- » Linkable except with tablet arms or arms
- » BIFMA drop tested
- » Sled chrome base
- » Fully welded frame
- » Fully strengthened plastic back shell
- » Optional left / right hand tablet arms
- » Optional black metal trolley, easy to move when stacked
- » Available in beam seating
- » Available in local fabrics
- » 4 Year warranty
- » Weight limit is 120kg

INSTRUCTIONS OF USE



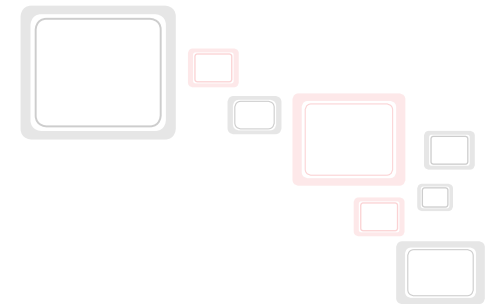
FOCUS

WARRANTY
4
Year

WEIGHT LIMIT
120
Kilogram

UPHOLSTERED
IN AUSTRALIA

BIFMA



FOC-1UA



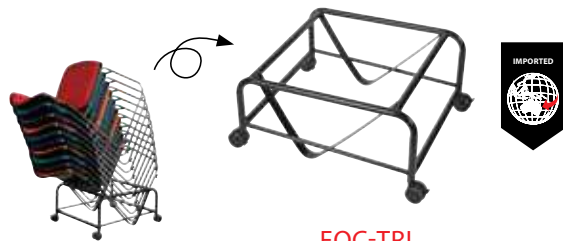
FOC-1U



FOC-1UTR



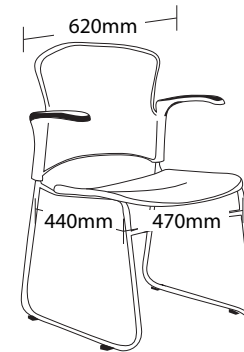
FOC-1UTL



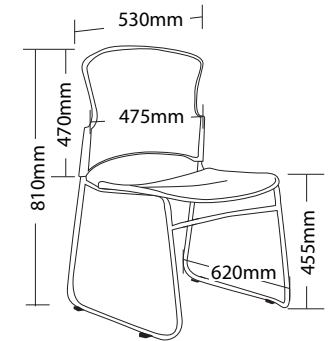
FOC-TRL



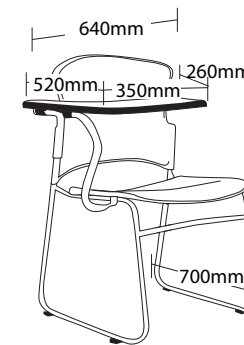
SIZE



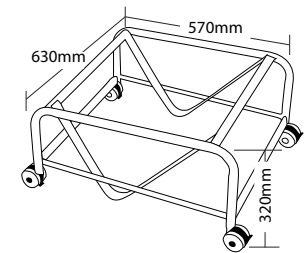
FOC-1A



FOC-1



FOC-1TR



FOC-TRL

R4



HOSPITALITY SEATING

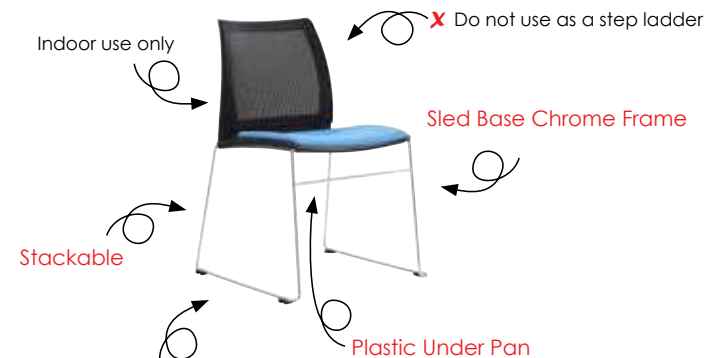
VINN



FEATURES

- » Solid steel sled base frame
- » Chrome finish
- » Suitable for indoor use only
- » Black plastic
- » Linkable except with tablet arms or arms
- » Plastic under pan
- » Stackable
 - » Maximum 10 chairs on trolley
 - » Maximum 3 chairs on floor
 - » Maximum 3 chairs with stools
 - » Not stackable with tablet arms
- » Optional plastic or mesh back
- » Optional black metal trolley, easy to move when stacked
- » Available in beam seating
- » Available in local fabrics
- » Back mesh available in Jazz mesh
- » 4 Year warranty
- » Weight limit is 120kg

INSTRUCTIONS OF USE



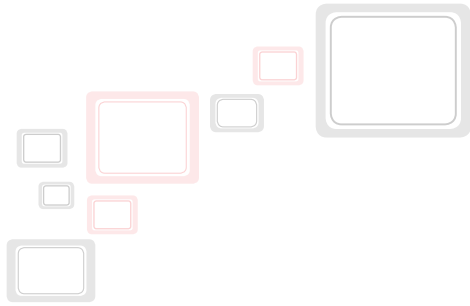
Keep a permanent contact between base of chair and floor

VINN

BACK MESH AVAILABLE IN JAZZ MESH



WARRANTY 4 Year	WEIGHT LIMIT 120 Kilogram	UPHOLSTERED IN AUSTRALIA 
------------------------------	--	--



VINN



FEATURES

- » Solid steel sled base frame
- » Chrome finish
- » Suitable for indoor use only
- » Black plastic
- » Linkable except with tablet arms or arms
- » Plastic under pan
- » Stackable
 - » Maximum 10 chairs on trolley
 - » Maximum 3 chairs on floor
 - » Maximum 3 chairs with stools
 - » Not stackable with tablet arms
- » Optional plastic or mesh back
- » Optional black metal trolley, easy to move when stacked
- » Available in beam seating
- » Available in local fabrics
- » Back mesh available in Jazz mesh
- » 4 Year warranty
- » Weight limit is 120kg



VINN-MBU



VINN-MBU
Back view



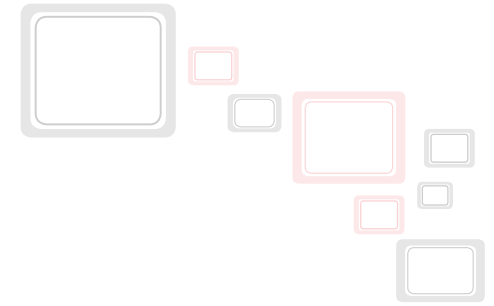
VINN-MBU
Side view

VINN

WARRANTY
4
Year

WEIGHT LIMIT
120
Kilogram

UPHOLSTERED
IN AUSTRALIA



VINN-MBUA



VINN-MBU



VINN-MBUT



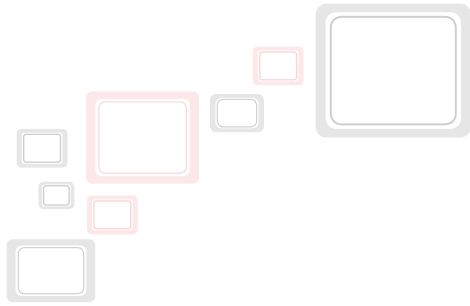
VINN-MBU-ST



VINN-MBU-STA

SIZE

» On next page



VINN



FEATURES

- » Solid steel sled base frame
- » Chrome finish
- » Suitable for indoor use only
- » Black plastic
- » Linkable except with tablet arms or arms
- » Plastic under pan
- » Stackable
 - » Maximum 10 chairs on trolley
 - » Maximum 3 chairs on floor
 - » Maximum 3 chairs with stools
 - » Not stackable with tablet arms
- » Optional plastic or mesh back
- » Optional black metal trolley, easy to move when stacked
- » Available in beam seating
- » Available in local fabrics
- » Back mesh available in Jazz mesh
- » 4 Year warranty
- » Weight limit is 120kg



VINN-BUA



VINN-BU



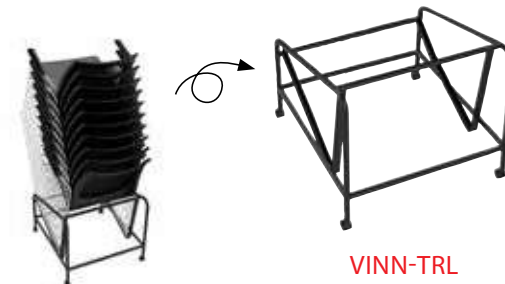
VINN-BUT



VINN-BU-ST

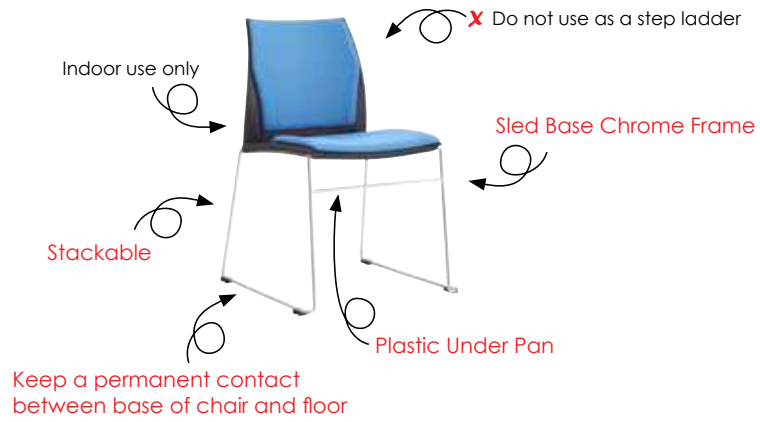


VINN-BU-STA

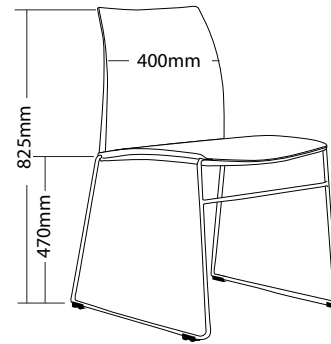


VINN-TRL

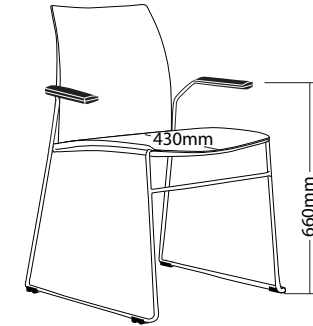
INSTRUCTIONS OF USE



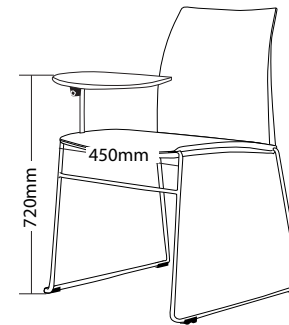
SIZE



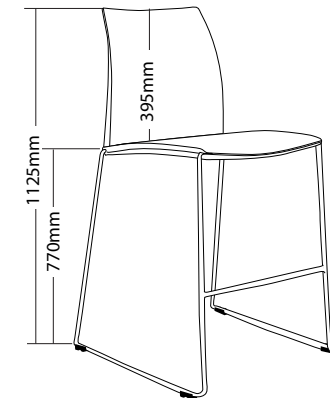
VINN-B



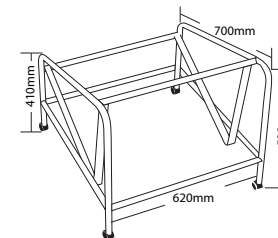
VINN-BA



VINN-BT



VINN-B-ST



VINN-TRL

R4



HOSPITALITY SEATING

POD 4 LEG



FEATURES

- » Stackable
 - » Maximum 10 chairs on trolley
 - » Maximum 5 chairs on floor
 - » Maximum 3 chairs with stools
 - » Maximum 3 chairs with tablet arms
- » Suitable for indoor use only
- » Optional tablet arms
- » Optional arms
- » Optional 4 leg or sled base chrome frame
- » Optional black metal trolley, easy to move when stacked
- » Plastic under pan
- » Available in beam seating
- » Available in red, white or black plastic shell
- » Available in local fabrics
- » 4 Year warranty
- » Weight limit is 120kg

PLASTIC COLOUR

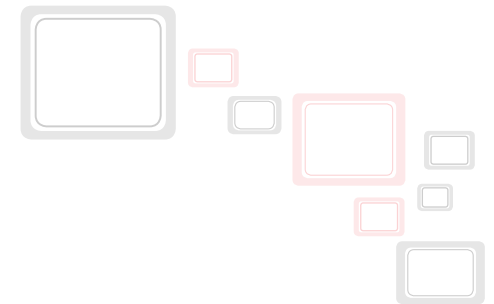


INSTRUCTIONS OF USE



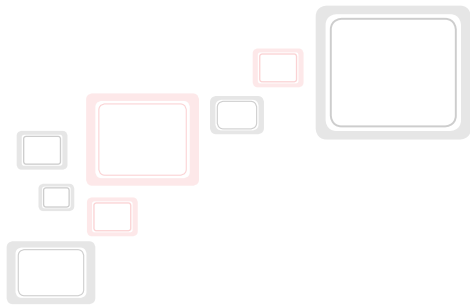
Keep a permanent contact between base of chair and floor

POD 4 LEG



SIZE

» On next page



POD 4 LEG



PLASTIC COLOUR



B-Black R-Red W-White

FEATURES

- » Stackable
 - » Maximum 10 chairs on trolley
 - » Maximum 5 chairs on floor
 - » Maximum 3 chairs with stools
 - » Maximum 3 chairs with tablet arms
- » Suitable for indoor use only
- » Optional tablet arms
- » Optional arms
- » Optional 4 leg or sled base chrome frame
- » Optional black metal trolley, easy to move when stacked
- » Plastic under pan
- » Available in beam seating
- » Available in red, white or black plastic shell
- » Available in local fabrics
- » 4 Year warranty
- » Weight limit is 120kg



POD-4RUT



POD-4RU



POD-STWU



POD-4BUT

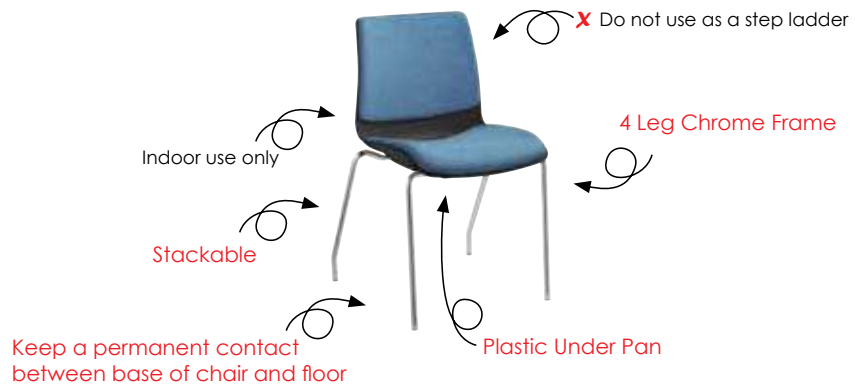


POD-STBU

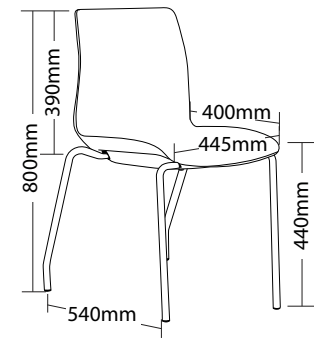


POD-4WUA

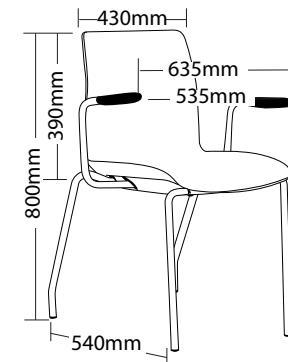
INSTRUCTIONS OF USE



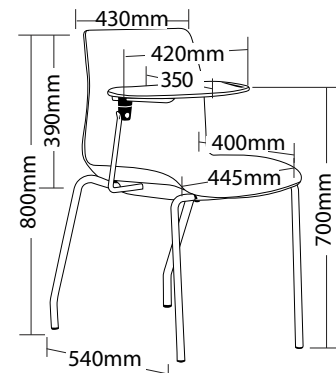
SIZE



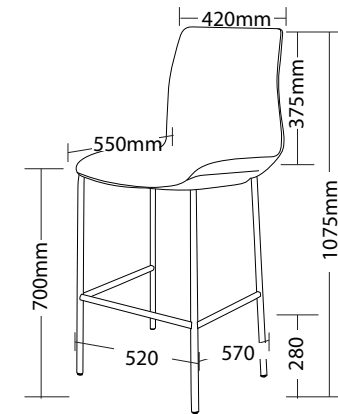
POD-4



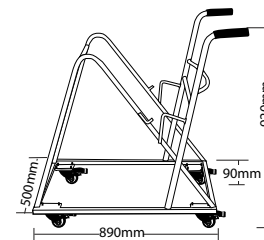
POD-4A



POD-4T



POD-ST



POD-TRL

R4



HOSPITALITY SEATING

POD SLED



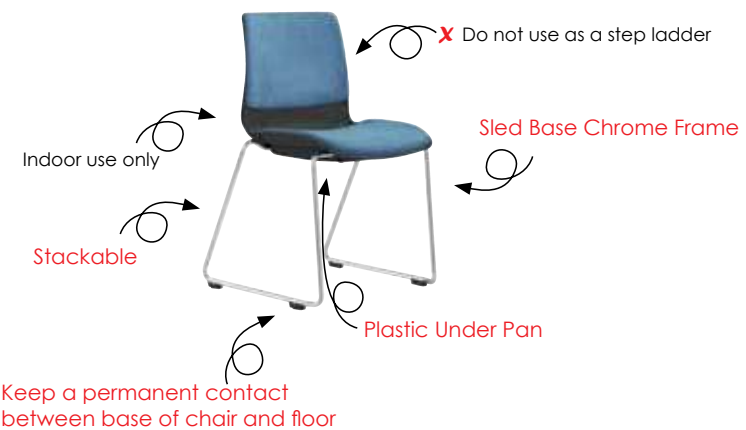
FEATURES

- » Stackable
 - » Maximum 10 chairs on trolley
 - » Maximum 5 chairs on floor
 - » Not stackable with tablet arms
- » Suitable for indoor use only
- » Optional tablet arms
- » Optional arms
- » Optional 4 leg or sled base chrome frame
- » Optional black metal trolley, easy to move when stacked
- » Plastic under pan
- » Available in beam seating
- » Available in red, white or black plastic shell
- » Available in local fabrics
- » 4 Year warranty
- » Weight limit is 120kg

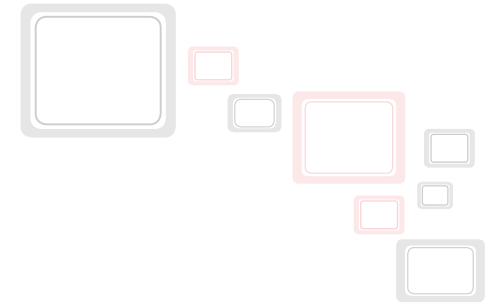
PLASTIC COLOUR



INSTRUCTIONS OF USE

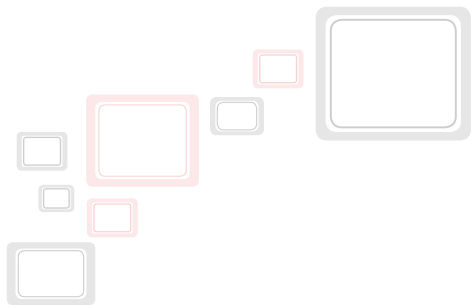


POD SLED



SIZE

» On next page



POD SLED



PLASTIC COLOUR



B-Black R-Red W-White

FEATURES

- » Stackable
 - » Maximum 10 chairs on trolley
 - » Maximum 5 chairs on floor
 - » Not stackable with tablet arms
- » Suitable for indoor use only
- » Optional tablet arms
- » Optional arms
- » Optional 4 leg or sled base chrome frame
- » Optional black metal trolley, easy to move when stacked
- » Plastic under pan
- » Available in beam seating
- » Available in red, white or black plastic shell
- » Available in local fabrics
- » 4 Year warranty
- » Weight limit is 120kg



POD-SRUT



POD-SRU



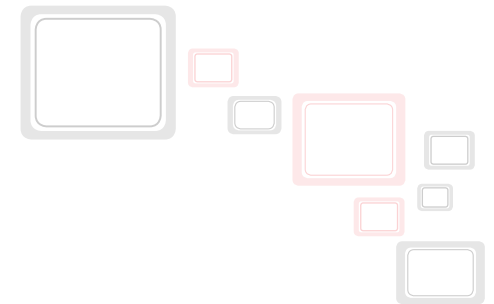
POD-SBUT



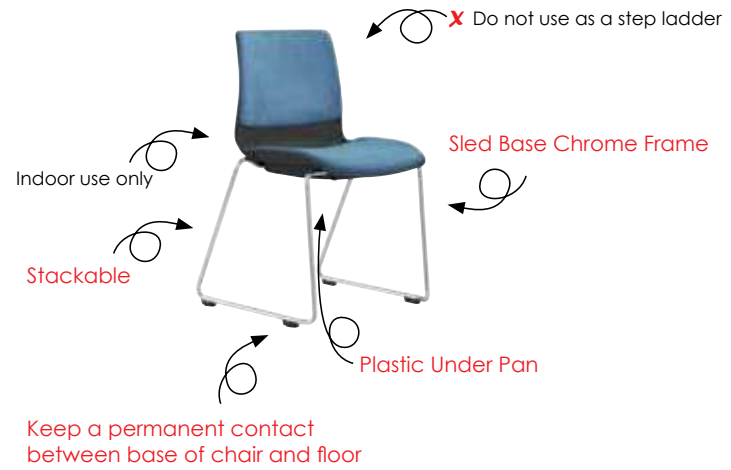
POD-TRL



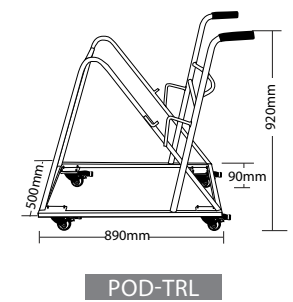
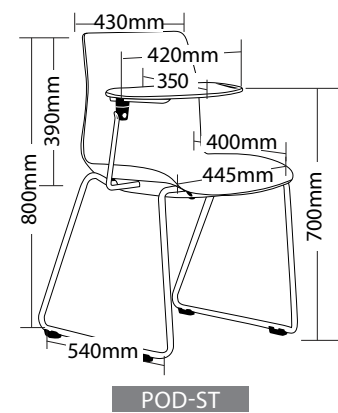
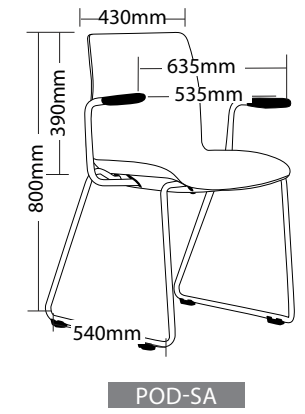
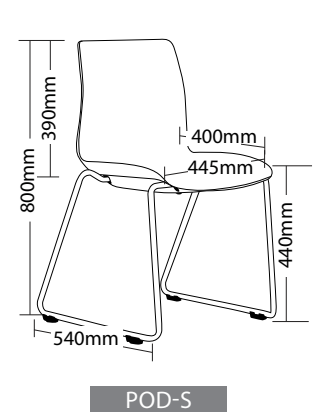
POD-SWUA



INSTRUCTIONS OF USE



SIZE



R4



HOSPITALITY SEATING

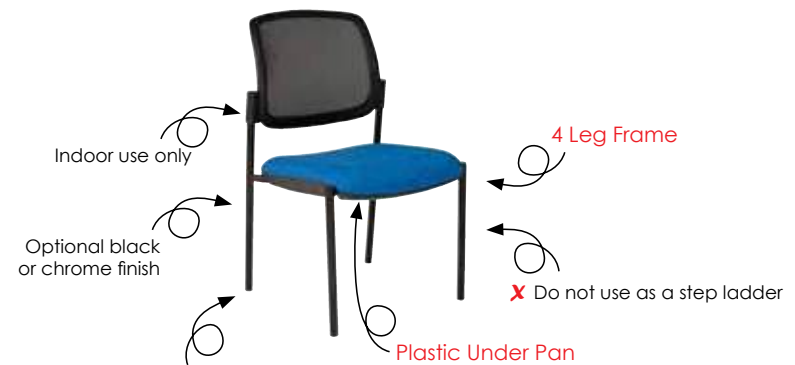
MAXI 4 LEG



FEATURES

- » Available with or without arms
- » Optional black or chrome finish
- » 4 leg frame
- » Plastic under pan
- » Plastic outer back (Upholstered back only)
- » Optional upholstered or mesh back
- » Available in beam seating
- » Available in local fabrics
- » Back mesh available in Jazz mesh
- » AFRDI approved to level 6
- » 5 Year warranty
- » Weight limit is 120kg

INSTRUCTIONS OF USE

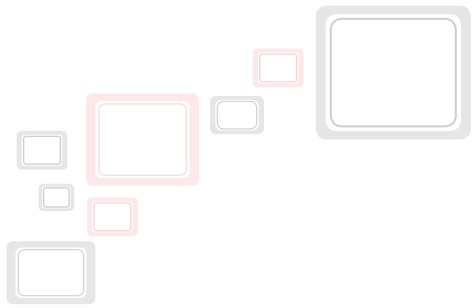


Keep a permanent contact
between base of chair and floor

MAXI

BACK MESH AVAILABLE IN JAZZ MESH





MAXI 4 LEG



FEATURES

- » Available with or without arms
- » Optional black or chrome finish
- » 4 leg frame
- » Plastic under pan
- » Plastic outer back (Upholstered back only)
- » Optional upholstered or mesh back
- » Available in beam seating
- » Available in local fabrics
- » Back mesh available in Jazz mesh
- » AFRDI approved to level 6
- » 5 Year warranty
- » Weight limit is 120kg



MM1B

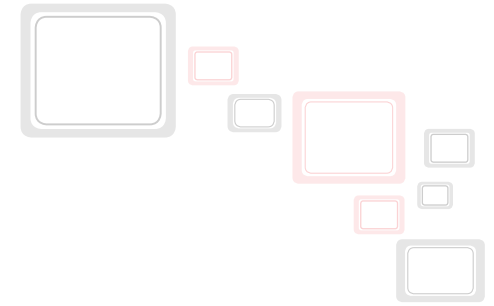


MM1B
Back view



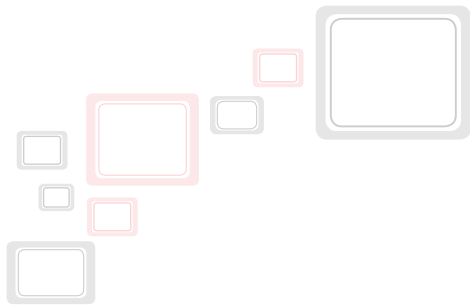
MM1B
Side view

MAXI 4 LEG



SIZE

» On next page



MAXI 4 LEG



FEATURES

- » Available with or without arms
- » Optional black or chrome finish
- » 4 leg frame
- » Plastic under pan
- » Plastic outer back (Upholstered back only)
- » Optional upholstered or mesh back
- » Available in beam seating
- » Available in local fabrics
- » Back mesh available in Jazz mesh
- » AFRDI approved to level 6
- » 5 Year warranty
- » Weight limit is 120kg



M1BC



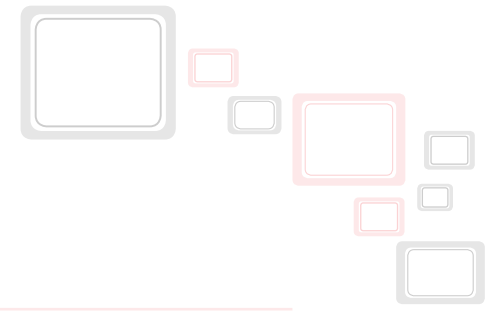
M1B



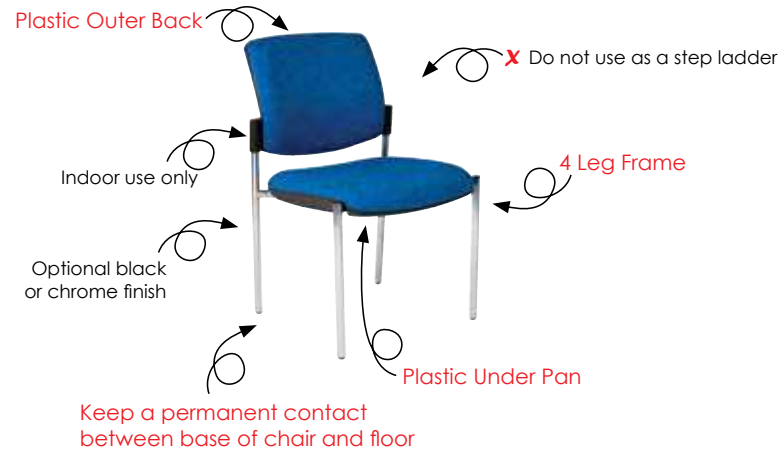
M1C



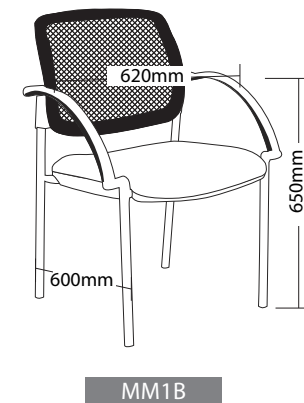
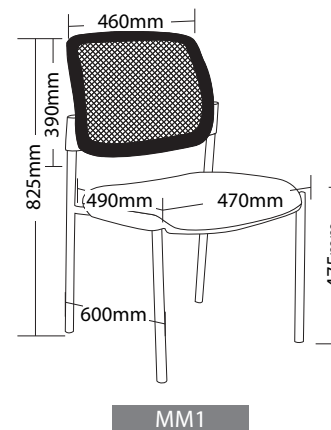
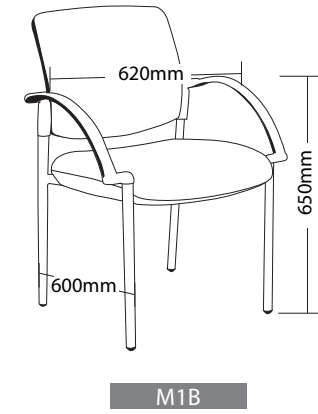
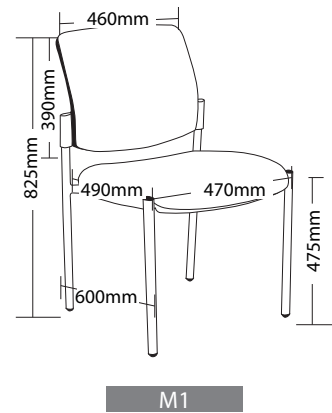
M1



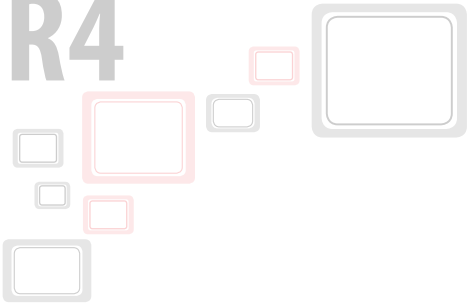
INSTRUCTIONS OF USE



SIZE



R4



HOSPITALITY SEATING

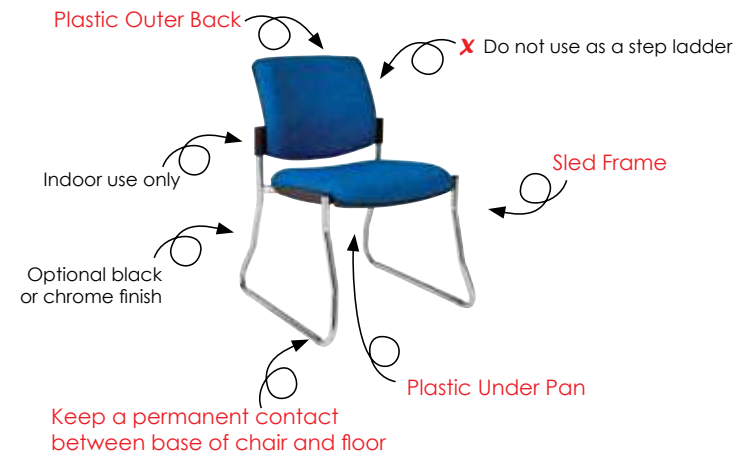
MAXI SLED



FEATURES

- » Available with or without arms
- » Optional black or chrome finish
- » Sled base frame
- » Plastic under pan
- » Plastic outer back (Upholstered back only)
- » Optional upholstered or mesh back
- » Stackable except with arms (Limit of 3)
- » Available in beam seating
- » Available in local fabrics
- » AFRDI approved to level 6
- » 5 Year warranty
- » Weight limit is 120kg

INSTRUCTIONS OF USE



MAXI SLED



M4AC



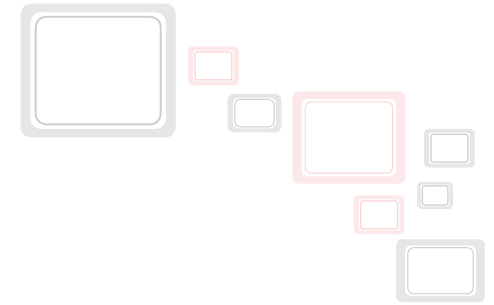
M4C



M4A

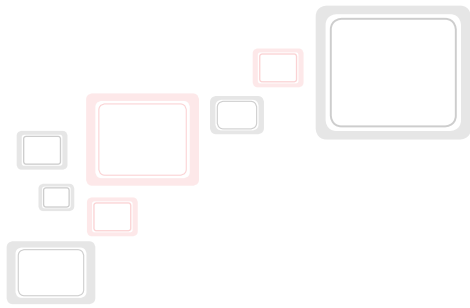


M4



SIZE

» On next page



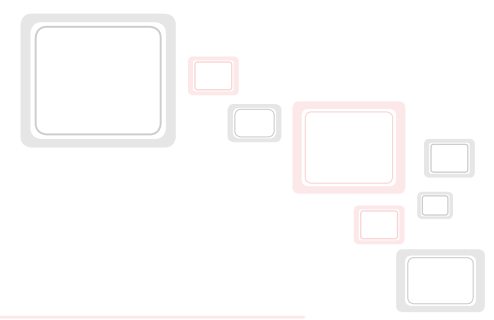
MAXI SLED



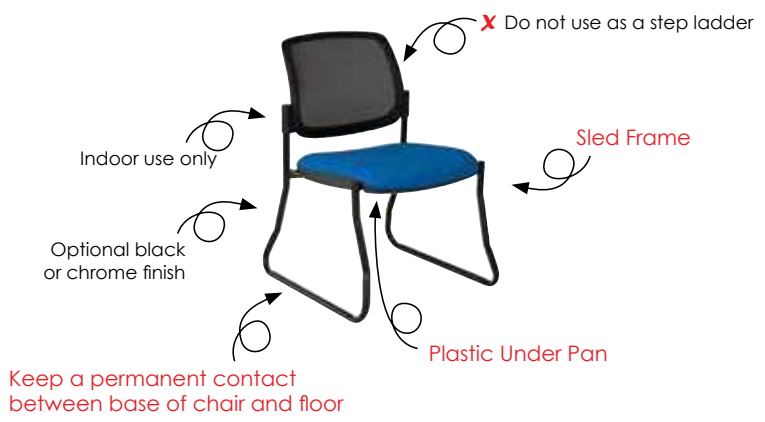
FEATURES

- » Available with or without arms
- » Optional black or chrome finish
- » Sled base frame
- » Plastic under pan
- » Plastic outer back (Upholstered back only)
- » Optional upholstered or mesh back
- » Stackable except with arms (Limit of 3)
- » Available in beam seating
- » Available in local fabrics
- » Back mesh available in Jazz mesh
- » AFRDI approved to level 6
- » 5 Year warranty
- » Weight limit is 120kg

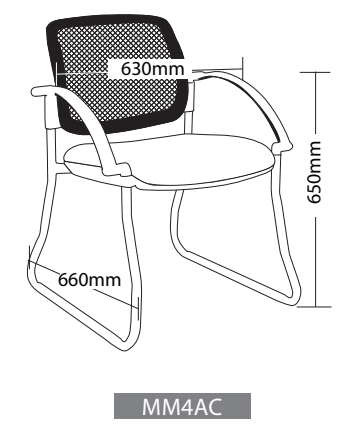
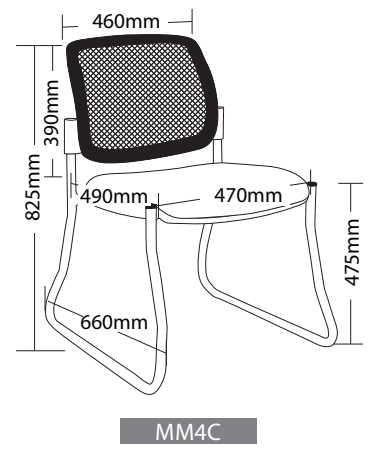
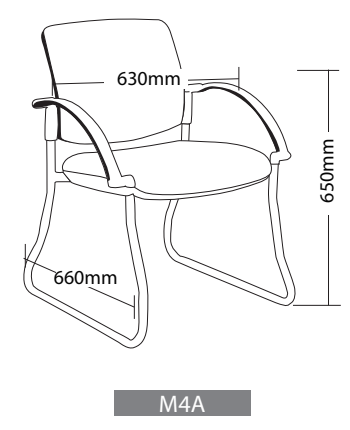
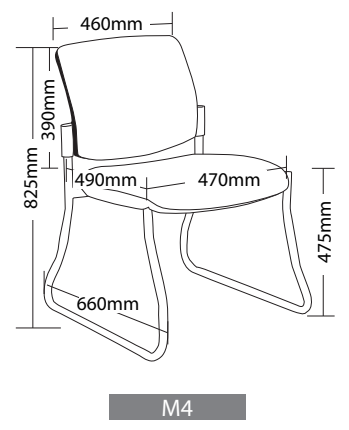




INSTRUCTIONS OF USE



SIZE



R4



HOSPITALITY SEATING

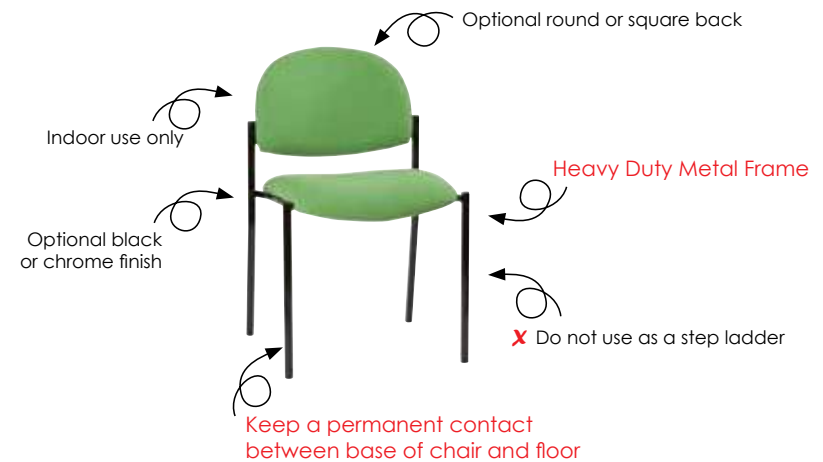
VERA



FEATURES

- » Heavy duty metal frame
- » Optional 4 leg or sled base
- » Stackable
 - » Maximum 4 chairs with 4 leg base on floor
 - » Maximum 3 chairs with sled base on floor
 - » Not stackable with sled base with arms
- » Optional black or chrome finish
- » Optional round or square back
- » Optional tablet arms
- » Suitable for indoor use only
- » Available in local fabrics
- » 5 Year warranty
- » Weight limit is 120kg

INSTRUCTIONS OF USE

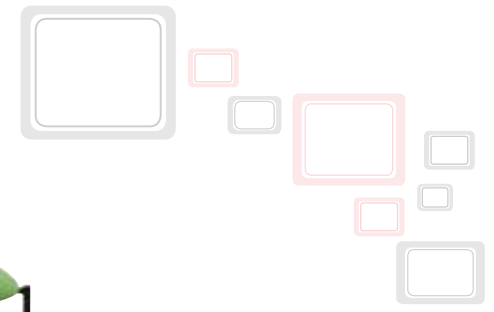


VERA

WARRANTY
5
Year

WEIGHT LIMIT
120
Kilogram

UPHOLSTERED
IN AUSTRALIA



VC400-AC



VC400-A



VC400



VC100-B



VC100



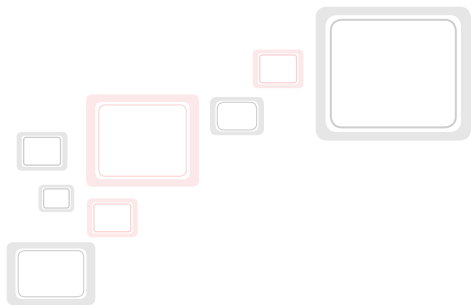
VC100-TR



VC100-TL

SIZE

» On next page



VERA



FEATURES

- » Heavy duty metal frame
- » Optional 4 leg or sled base
- » Stackable
 - » Maximum 4 chairs with 4 leg base on floor
 - » Maximum 3 chairs with sled base on floor
 - » Not stackable with sled base with arms
- » Optional black or chrome finish
- » Optional round or square back
- » Optional tablet arms
- » Suitable for indoor use only
- » Available in local fabrics
- » 5 Year warranty
- » Weight limit is 120kg



OGVC400-AC



OGVC400-A



OGVC400



OGVC100-B



OGVC100

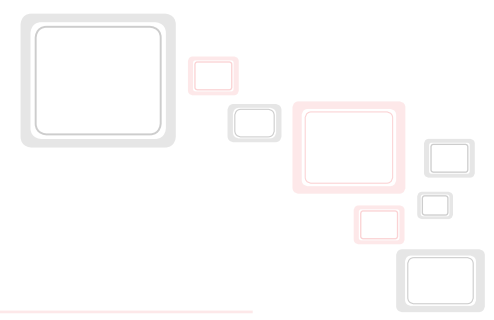


OGVC100-TR

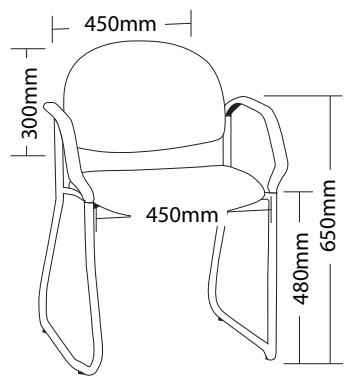


OGVC400-TR

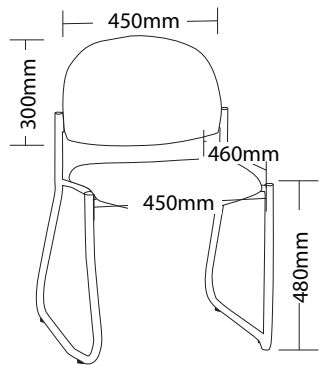




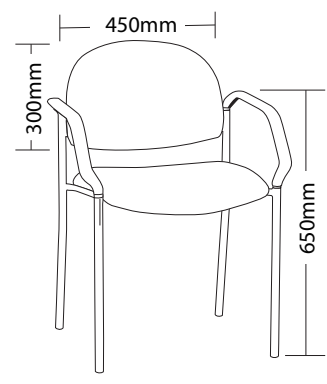
SIZE



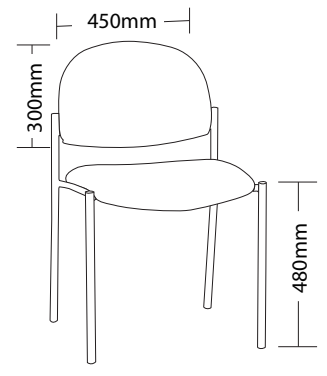
VC400-A



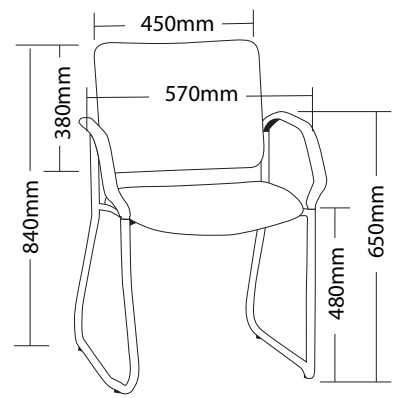
VC400



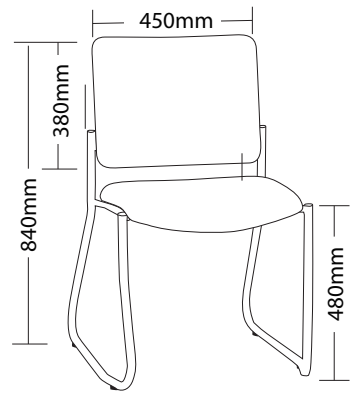
VC100-B



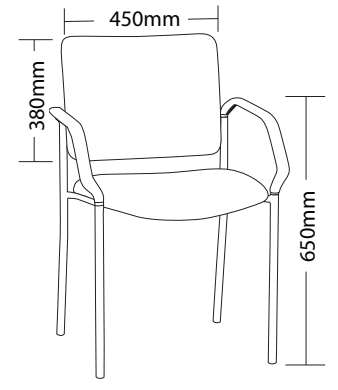
VC100



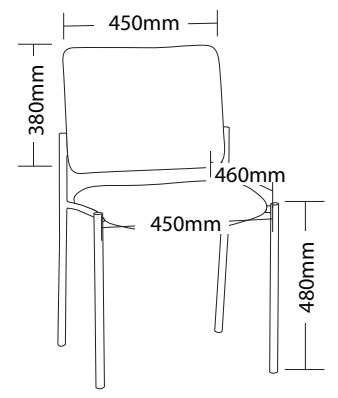
OGVC400-A



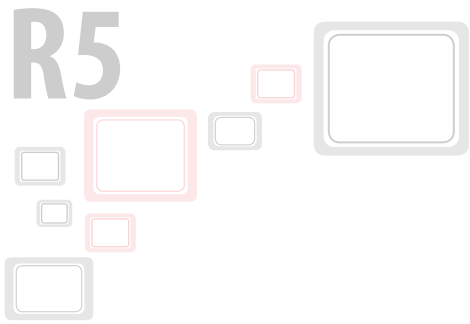
OGVC400



OGVC100-B



OGVC100



BEAM SEATING

MAXI BEAM



FEATURES

- » Optional fully upholstered back or mesh
- » Optional 2, 3 or 4 seater
- » Suitable for indoor use only
- » Plastic under pan
- » Plastic outer back
- » Adjustable feet
- » Black metal frame
- » Available in local fabrics
- » Back mesh available in Jazz mesh
- » 4 Year warranty
- » Weight limit for 2 seater is 200kg
- » Weight limit for 3 seater is 300kg
- » Weight limit for 4 seater is 350kg



MAXI BEAM

WEIGHT LIMIT
200
Kilogram



M-BEAM 2



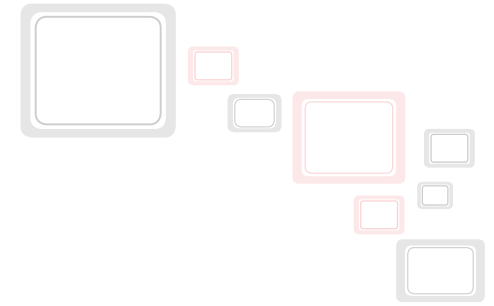
M-BEAM 2
Back view



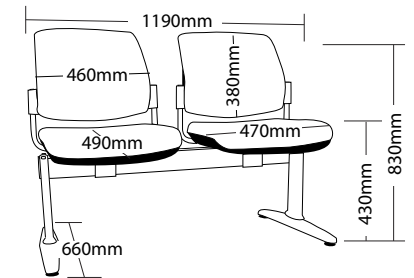
WEIGHT LIMIT
200
Kilogram



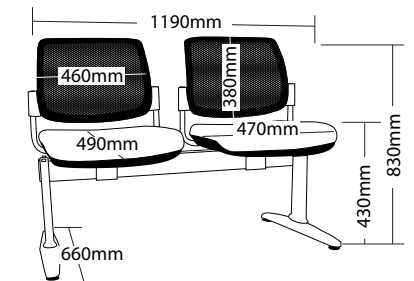
MM-BEAM 2



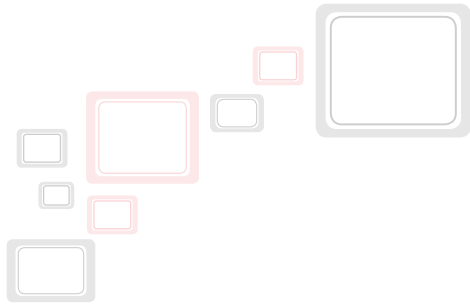
SIZE



M-BEAM 2



MM-BEAM 2



MAXI BEAM



FEATURES

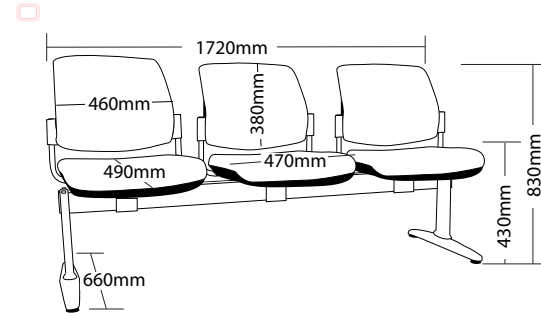
- » Optional fully upholstered back or mesh
- » Optional 2, 3 or 4 seater
- » Suitable for indoor use only
- » Plastic under pan
- » Plastic outer back
- » Adjustable feet
- » Black metal frame
- » Available in local fabrics
- » Back mesh available in Jazz mesh
- » 4 Year warranty
- » Weight limit for 2 seater is 200kg
- » Weight limit for 3 seater is 300kg
- » Weight limit for 4 seater is 350kg

WEIGHT LIMIT
300
Kilogram



M-BEAM 3

SIZE

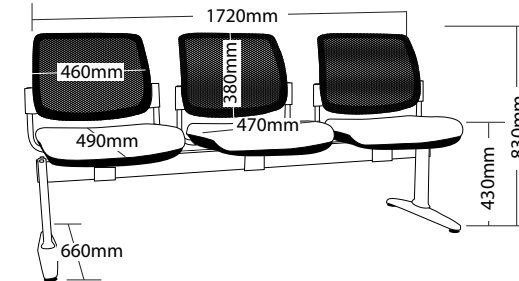


M-BEAM 3

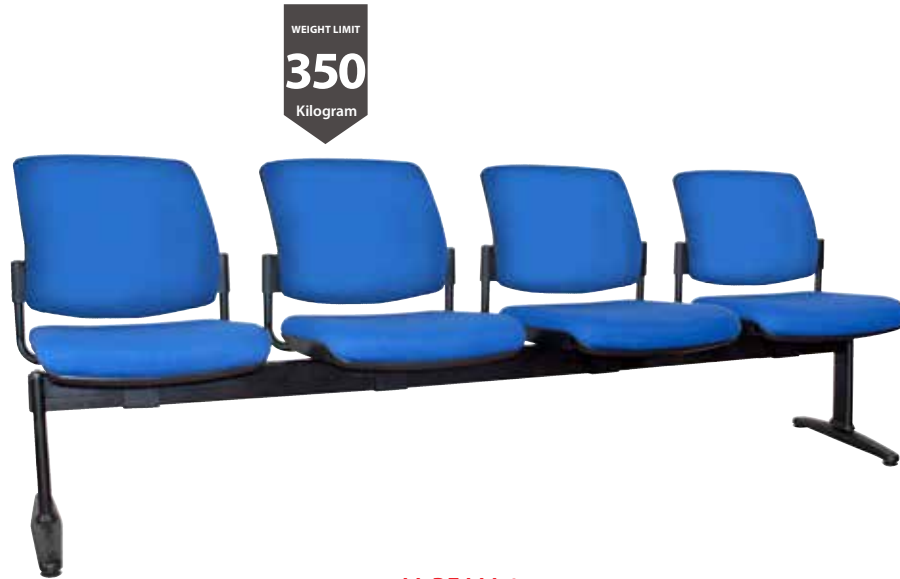
WEIGHT LIMIT
300
Kilogram



MM-BEAM 3



MM-BEAM 3



WEIGHT LIMIT
350
Kilogram

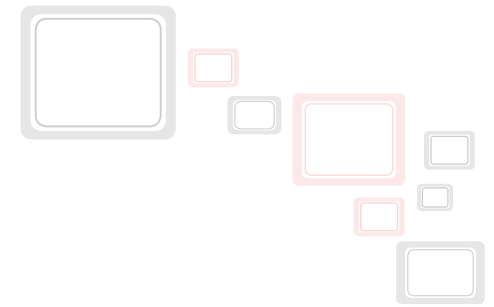
M-BEAM 4



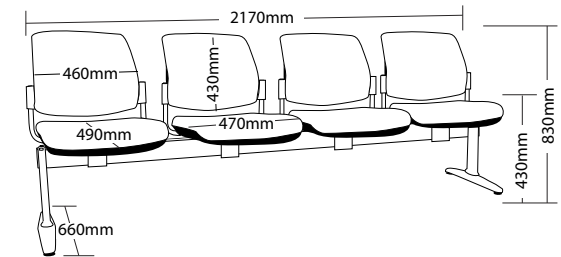
WEIGHT LIMIT
350
Kilogram

Available in Jazz Mesh

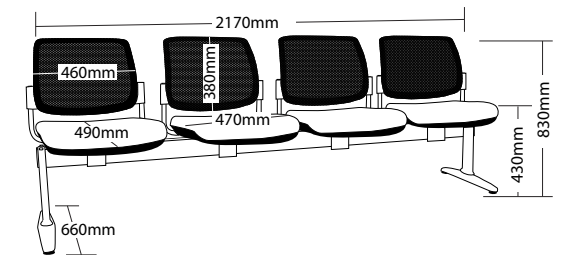
MM-BEAM 4



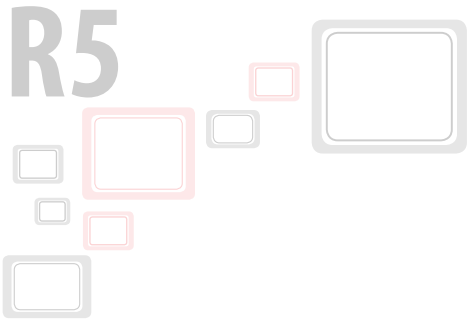
SIZE



M-BEAM 4



MM-BEAM 4



BEAM SEATING

FOCUS BEAM



FEATURES

- » Optional 2 or 3 seater
- » Suitable for indoor use only
- » Fully welded black metal frame
- » Twin seat support bars
- » Adjustable feet
- » Available in local fabrics
- » 4 Year warranty
- » Weight limit for 2 seater is 200kg
- » Weight limit for 3 seater is 300kg

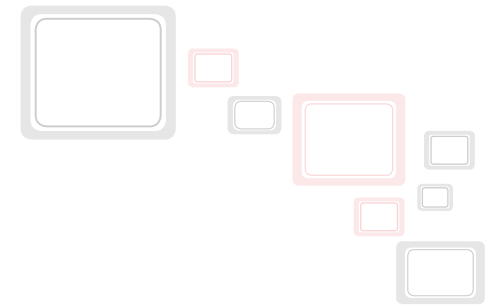


FOCUS BEAM

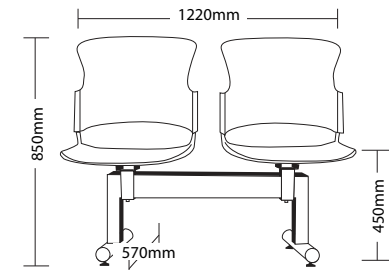


WEIGHT LIMIT
200
Kilogram

F-BEAM 2U



SIZE

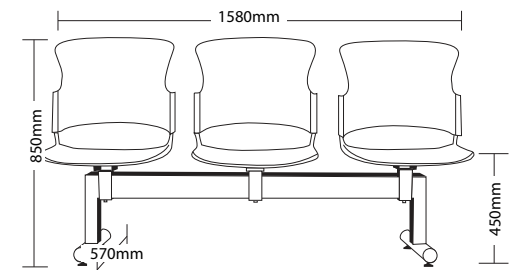


F-BEAM 2



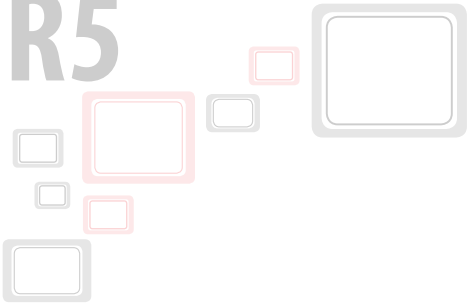
WEIGHT LIMIT
300
Kilogram

F-BEAM 3U



F-BEAM 3

R5



BEAM SEATING

VINN BEAM



FEATURES

- » Optional 2, 3 or 4 seater
- » Suitable for indoor use only
- » Heavy duty black metal beam frame
- » Adjustable feet
- » Optional plastic or mesh back
- » Black plastic
- » Available in local fabrics
- » 4 Year warranty
- » Weight limit for 2 seater is 180kg
- » Weight limit for 3 seater is 250kg
- » Weight limit for 4 seater is 300kg



VINN BEAM

WEIGHT LIMIT
180
Kilogram



V-BEAM 2U



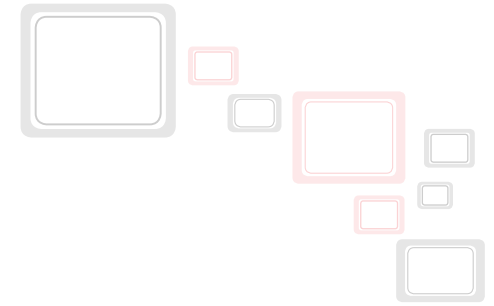
Back view



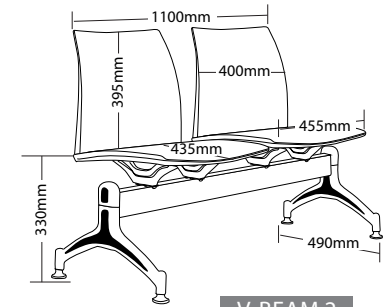
WEIGHT LIMIT
180
Kilogram



V-BEAM 2MU



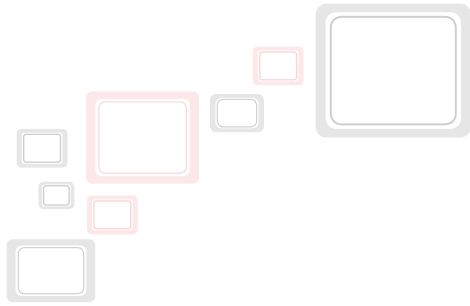
SIZE



V-BEAM 2



Front view



VINN BEAM



FEATURES

- » Optional 2, 3 or 4 seater
- » Suitable for indoor use only
- » Heavy duty black metal beam frame
- » Adjustable feet
- » Optional plastic or mesh back
- » Black plastic
- » Available in local fabrics
- » Back mesh available in Jazz mesh
- » 4 Year warranty
- » Weight limit for 2 seater is 180kg
- » Weight limit for 3 seater is 250kg
- » Weight limit for 4 seater is 300kg

WEIGHT LIMIT
250
Kilogram



V-BEAM 3U

WEIGHT LIMIT
250
Kilogram



V-BEAM 3MU



WEIGHT LIMIT
300
Kilogram



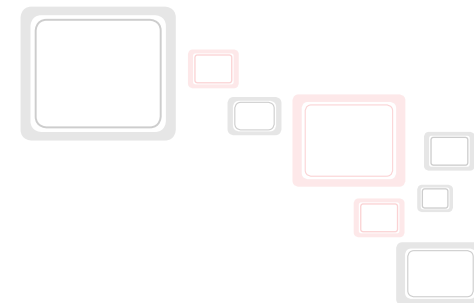
V-BEAM 4U

WEIGHT LIMIT
300
Kilogram

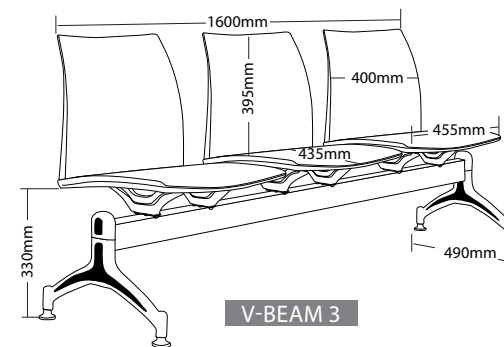


V-BEAM 4MU

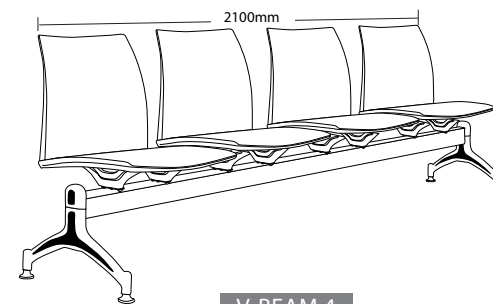
Available in Jazz Mesh



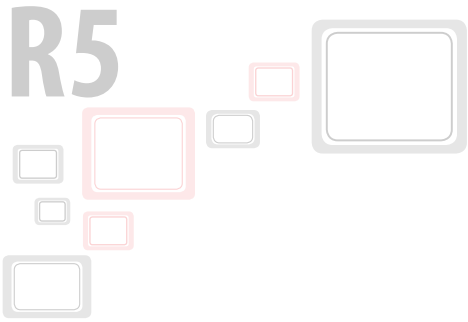
SIZE



V-BEAM 3



V-BEAM 4



BEAM SEATING

POD BEAM



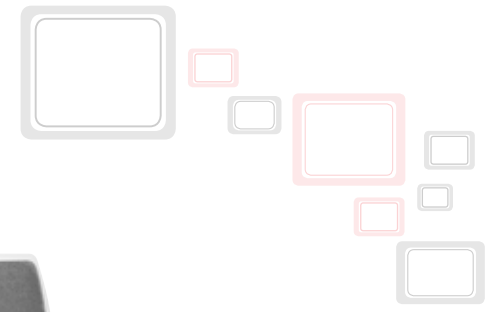
FEATURES

- » Optional 2, 3 or 4 seater
- » Suitable for indoor use only
- » Heavy duty black metal beam frame
- » Adjustable feet
- » Available in black, red and white plastic
- » Available in local fabrics
- » 4 Year warranty
- » Weight limit for 2 seater is 200kg
- » Weight limit for 3 seater is 300kg
- » Weight limit for 4 seater is 350kg

PLASTIC COLOUR



POD BEAM



WEIGHT LIMIT
200
Kilogram



P-BEAM 2RU

WEIGHT LIMIT
200
Kilogram



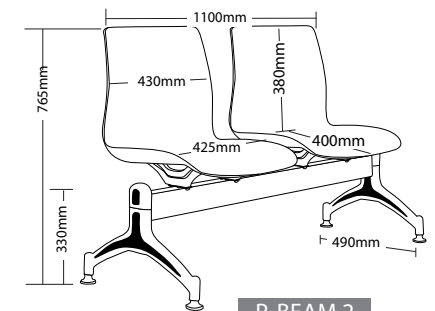
P-BEAM 2WU

WEIGHT LIMIT
200
Kilogram

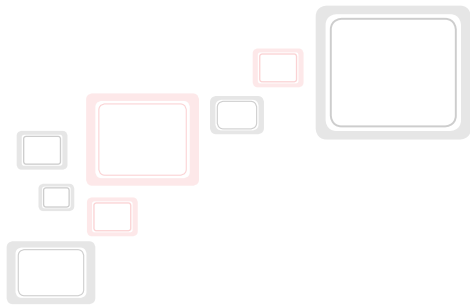


P-BEAM 2BU

SIZE



P-BEAM 2



POD BEAM



PLASTIC COLOUR



B-Black R-Red W-White

FEATURES

- » Optional 2, 3 or 4 seater
- » Suitable for indoor use only
- » Heavy duty black metal beam frame
- » Adjustable feet
- » Available in black, red and white plastic
- » Available in local fabrics
- » 4 Year warranty
- » Weight limit for 2 seater is 200kg
- » Weight limit for 3 seater is 300kg
- » Weight limit for 4 seater is 350kg



P-BEAM 3WU



P-BEAM 3BU



P-BEAM 3RU

WEIGHT LIMIT
350
Kilogram



P-BEAM 4BU

WEIGHT LIMIT
350
Kilogram



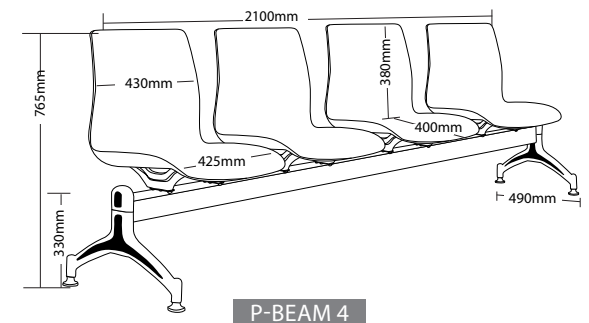
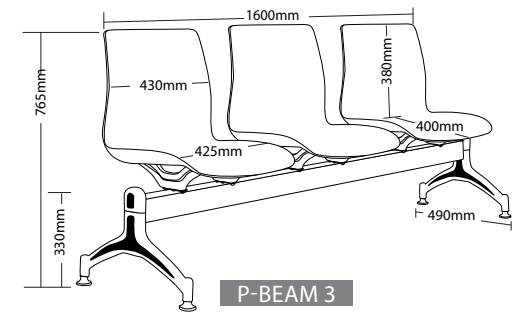
P-BEAM 4WU

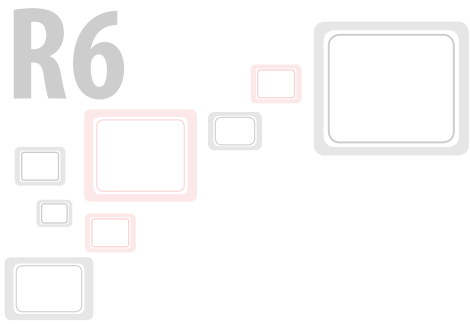
WEIGHT LIMIT
350
Kilogram



P-BEAM-4RU

SIZE





BREAKOUT SEATING

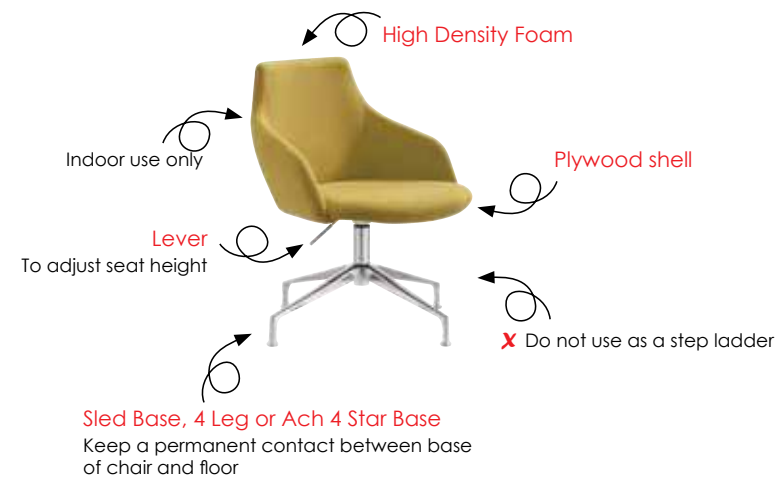
GOLD



FEATURES

- » Plywood shell
- » Optional chrome sled base
- » Optional 700mm chrome 4 leg frame
- » Optional high arch aluminium 4 star base
- » High density foam
- » Adjustable seat height with 4 star base
- » Suitable for indoor use only
- » Available in local fabrics
- » 5 Year warranty
- » Weight limit is 130kg

INSTRUCTIONS OF USE



GOLD

WARRANTY
5
Year

WEIGHT LIMIT
130
Kilogram

UPHOLSTERED
IN AUSTRALIA



GOLD-AB

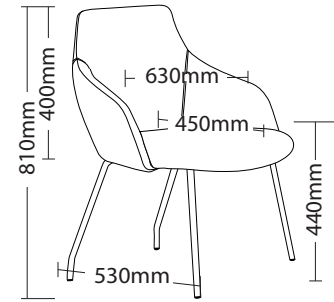


GOLD-SB

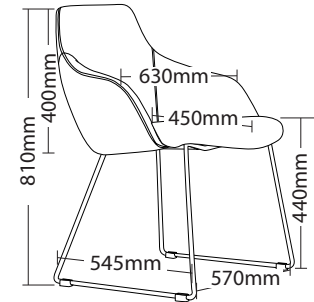


GOLD-4L

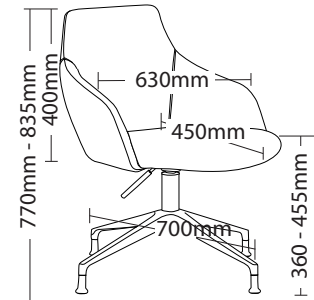
SIZE



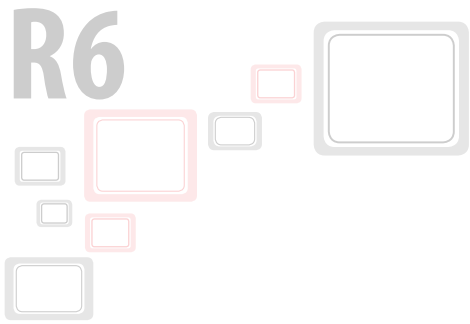
GOLD-4L



GOLD-SB



GOLD-AB



BREAKOUT SEATING

HULA



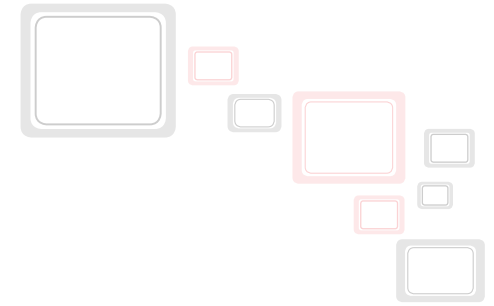
FEATURES

- » Plywood shell
- » Adjustable seat height
- » 660mm Aluminium 4 Star base
- » High density foam
- » Suitable for indoor use only
- » Available in local fabrics
- » Minor assembly required
- » 5 Year warranty
- » Weight limit is 120kg

INSTRUCTIONS OF USE



HULA



HULA-U

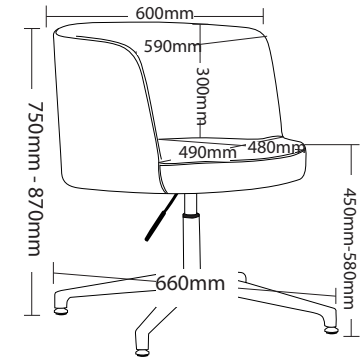


Back view

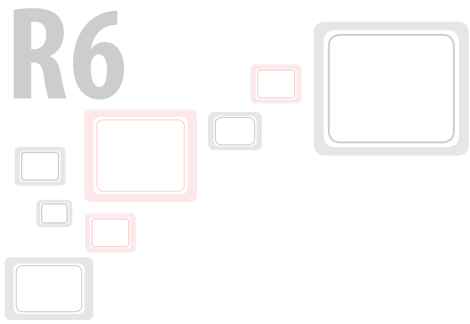


Side view

SIZE



HULA



BREAKOUT SEATING

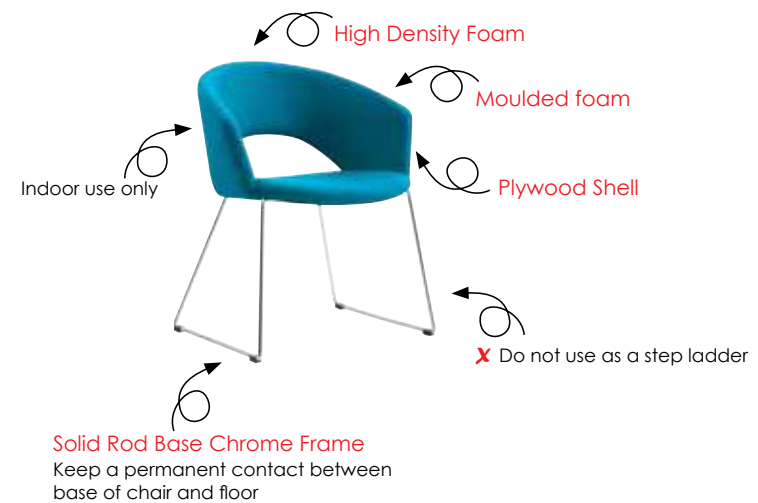
TONIC



FEATURES

- » Plywood shell
- » Solid rod base chrome frame
- » High density foam
- » Moulded foam
- » Suitable for indoor use only
- » Available in local fabrics
- » 5 Year warranty
- » Weight limit is 120kg

INSTRUCTIONS OF USE

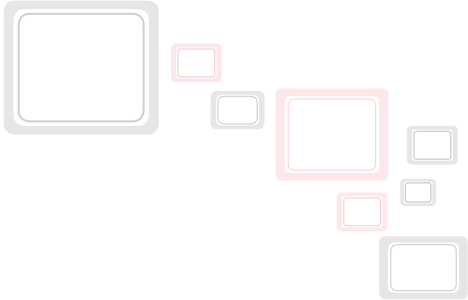


TONIC

WARRANTY
5
Year

WEIGHT LIMIT
120
Kilogram

UPHOLSTERED
IN AUSTRALIA

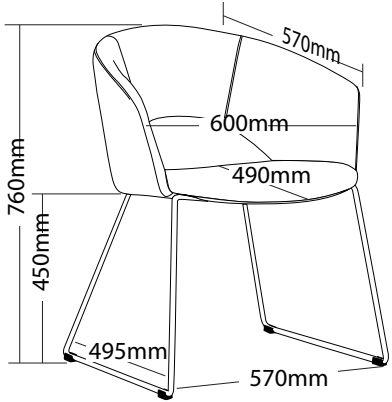


TONIC-U

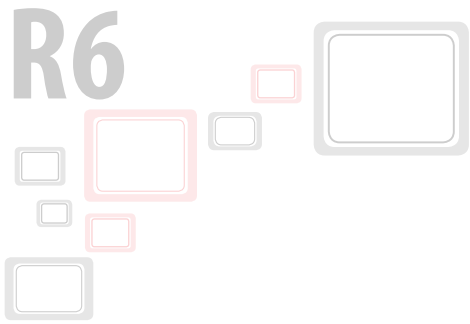


Back view

SIZE



TONIC



BREAKOUT SEATING

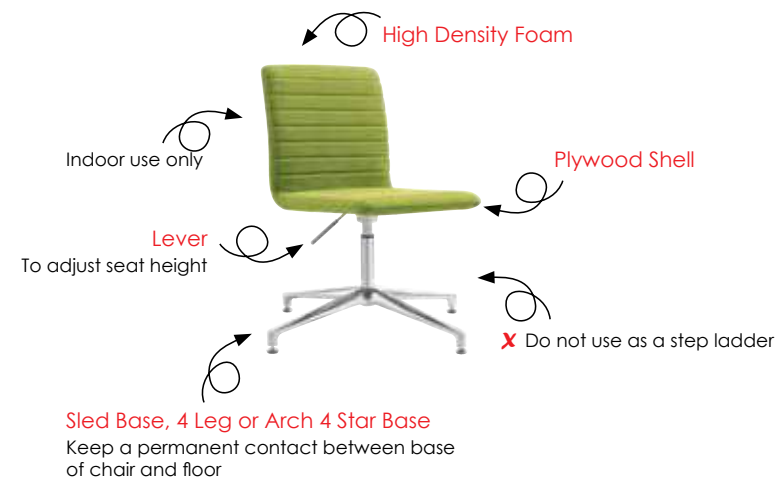
SMOKE



FEATURES

- » Plywood shell
- » Optional chrome sled base
- » Optional chrome 4 leg frame
- » Optional 660mm aluminium 4 star base
- » High density foam
- » Adjustable seat height with 4 star base
- » Suitable for indoor use only
- » Available in local fabrics
- » 5 Year warranty
- » Weight limit is 130kg

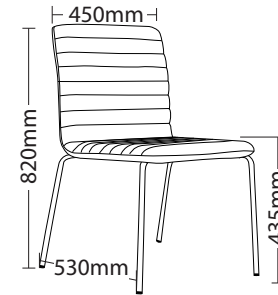
INSTRUCTIONS OF USE



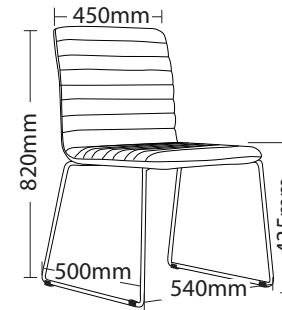
SMOKE



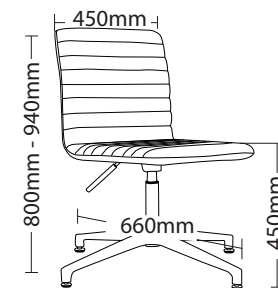
SIZE



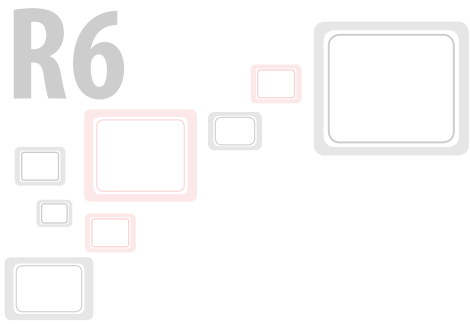
SMOKE-4L



SMOKE-SB



SMOKE-AB



BREAKOUT SEATING

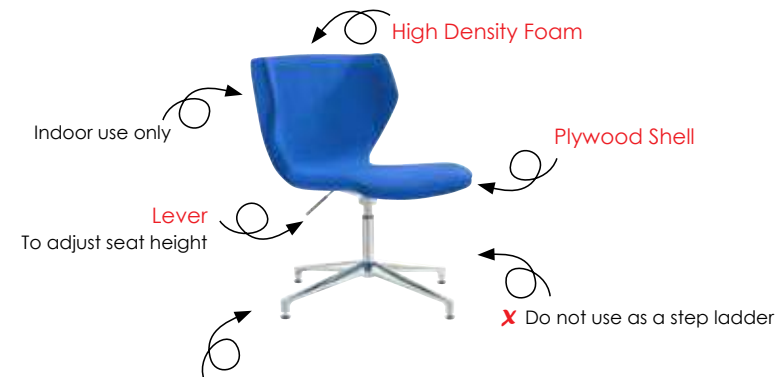
YARD



FEATURES

- » Plywood shell
- » Optional chrome sled base
- » Optional chrome 4 leg frame
- » Optional 660mm aluminium 4 star base
- » High density foam
- » Adjustable seat height with 4 star base
- » Suitable for indoor use only
- » Available in local fabrics
- » 3 Year warranty
- » Weight limit is 130kg

INSTRUCTIONS OF USE



Sled Base, 4 Leg or Arch 4 Star Base
Keep a permanent contact between base of chair and floor

YARD



YARD-AB

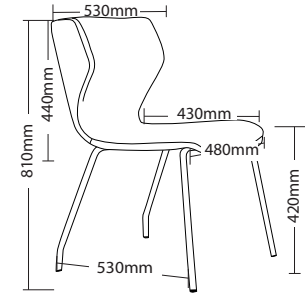


YARD-SB

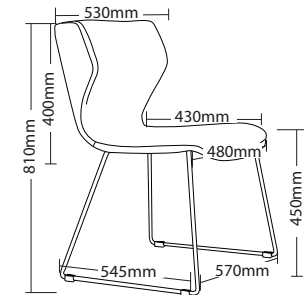


YARD-4L

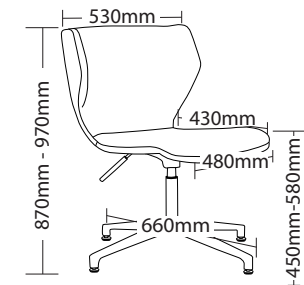
SIZE



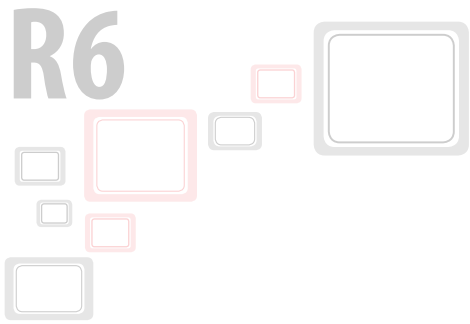
YARD-4L



YARD-SB



YARD-AB



BREAKOUT SEATING

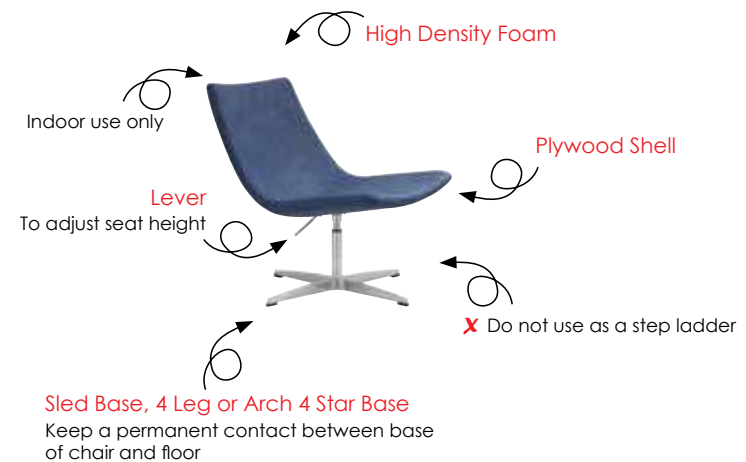
RIDGE



FEATURES

- » Plywood shell
- » Optional chrome sled base
- » Optional chrome 4 leg frame
- » Optional 680mm aluminium 4 star base
- » High density foam
- » Adjustable seat height with 4 star base
- » Suitable for indoor use only
- » Available in local fabrics
- » 5 Year warranty
- » Weight limit is 130kg

INSTRUCTIONS OF USE



RIDGE

WARRANTY
5
Year

WEIGHT LIMIT
130
Kilogram

UPHOLSTERED
IN AUSTRALIA



RIDGE-AB

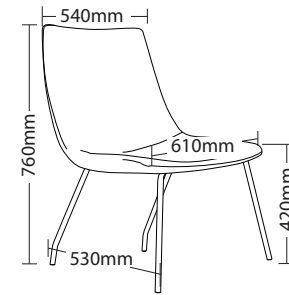


RIDGE-SB

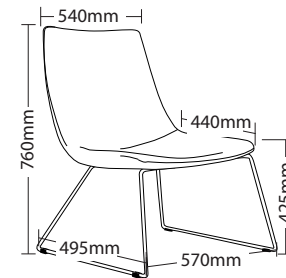


RIDGE-4L

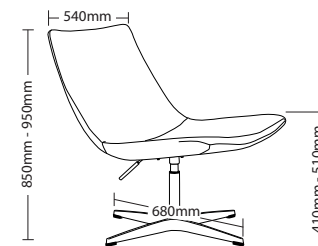
SIZE



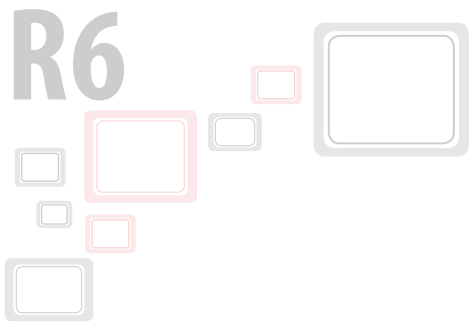
RIDGE-4L



RIDGE-SB



RIDGE-AB



BREAKOUT SEATING

OPERA



FEATURES

- » Moulded foam on steel frame
- » Loose back and seat cushions
- » Optional plywood frame with timber legs
- » Optional 700mm high arch aluminium 4 star base
- » Optional chrome 4 leg frame
- » High density foam
- » Suitable for indoor use only
- » Available in local fabrics
- » 5 Year warranty
- » Weight limit is 120kg

INSTRUCTIONS OF USE

Indoor use only



Sled Base, 4 Leg or Arch 4 Star Base

Keep a permanent contact between base of chair and floor

OPERA

WARRANTY
5
Year

WEIGHT LIMIT
120
Kilogram

UPHOLSTERED
IN AUSTRALIA



OPERA-TL

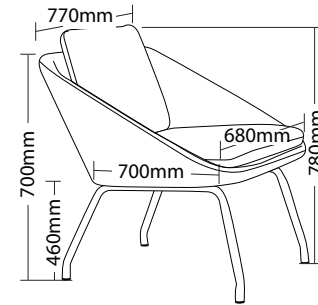


OPERA-AB

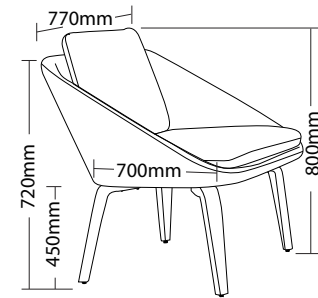


OPERA-4L

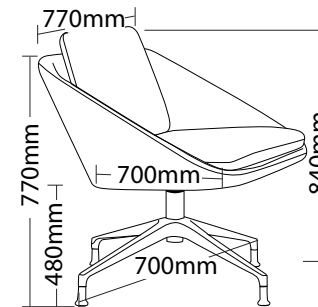
SIZE



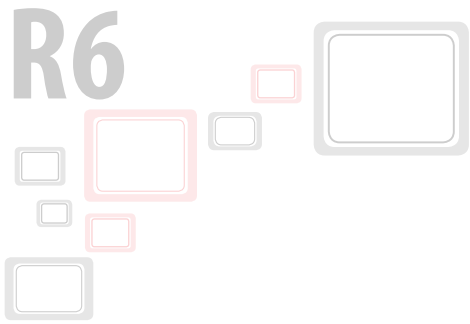
OPERA-4L



OPERA-TL



OPERA-AB



BREAKOUT SEATING

PLAY



FEATURES

- » Solid timber frame
- » High density foam
- » Suitable for indoor use only
- » Available in local fabrics
- » 3 Year warranty
- » Weight limit is 120kg

INSTRUCTIONS OF USE

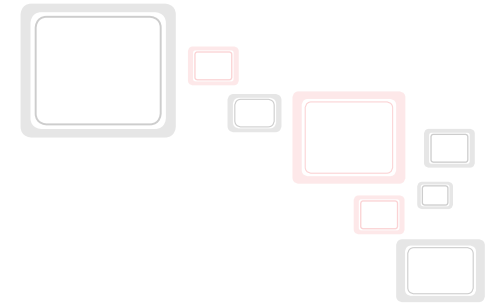


PLAY

WARRANTY
3
Year

WEIGHT LIMIT
120
Kilogram

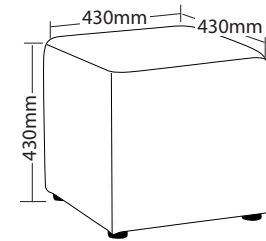
UPHOLSTERED
IN AUSTRALIA



PLAY-1



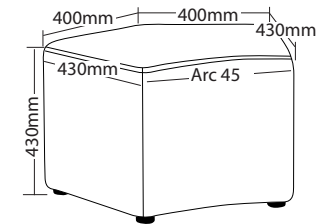
SIZE



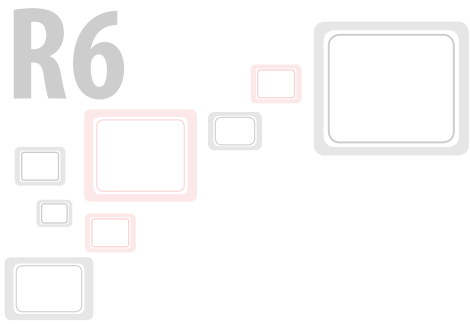
PLAY-1



PLAY-2



PLAY-2



BREAKOUT SEATING

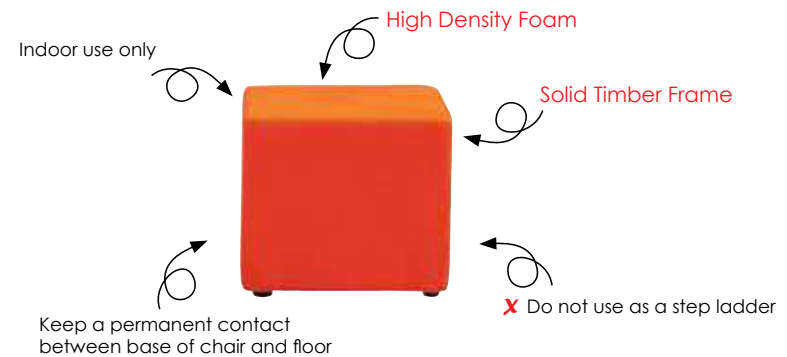
OLA



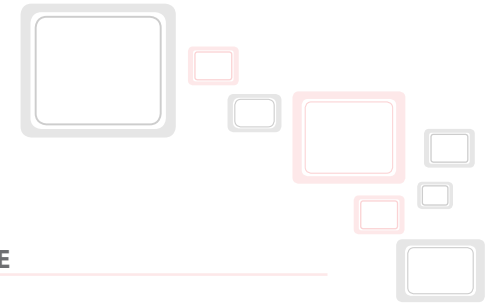
FEATURES

- » Solid timber frame
- » Plastic legs
- » High density foam
- » Suitable for indoor use only
- » Available in local fabrics
- » 3 Year warranty
- » Weight limit is 120kg

INSTRUCTIONS OF USE



OLA



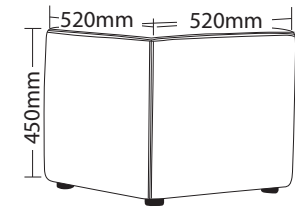
SIZE



OLA-R
Front view



OLA-R



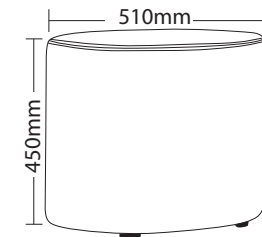
OLA-S



OLA-S



OLA-T
Front view



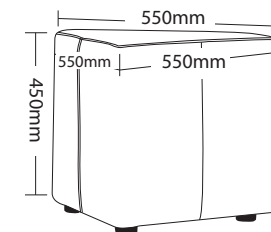
OLA-R



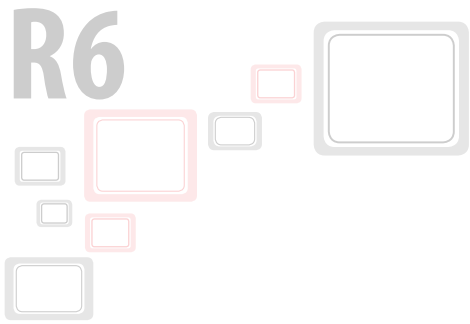
OLA-S
Front view



OLA-T



OLA-T



BREAKOUT SEATING

CLIP



FEATURES

- » Solid hardwood frame
- » Zig zag steel spring
- » Webbed base
- » Chrome legs
- » Suitable for indoor use only
- » Available in local fabrics
- » 3 Year warranty
- » Weight limit is 130kg

INSTRUCTIONS OF USE

Indoor use only

Webbed Base

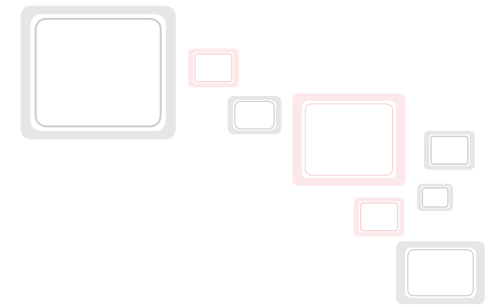
Solid Hardwood Frame

Chrome Legs

Keep a permanent contact
between base of chair and floor

X Do not use as a step ladder

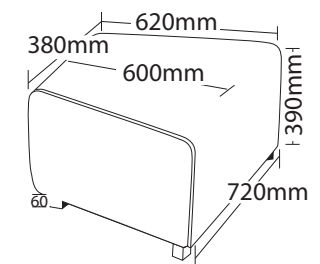
CLIP



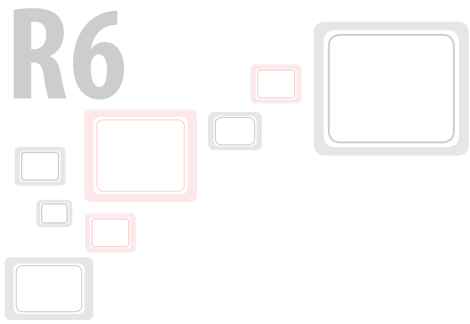
CLIP



SIZE



CLIP



BREAKOUT SEATING

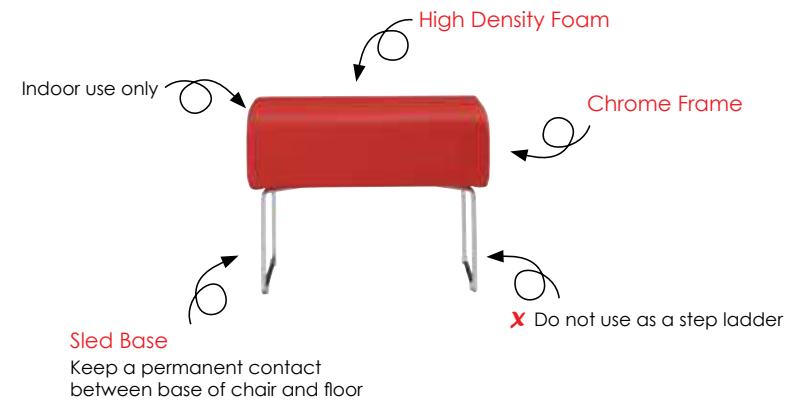
SHAPE



FEATURES

- » Sled base chrome frame
- » High density foam
- » Table top white MDF only
- » Suitable for indoor use only
- » Available in local fabrics
- » 3 Year warranty
- » Weight limit is 130kg

INSTRUCTIONS OF USE



SHAPE

WARRANTY
3
Year

WEIGHT LIMIT
130
Kilogram

UPHOLSTERED
IN AUSTRALIA



SHAPE-1200



SHAPE-600

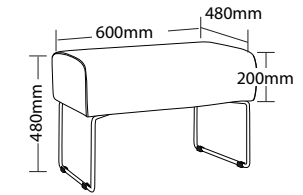


SHAPE-YT

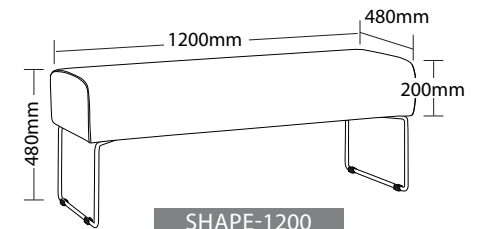


SHAPE-TT

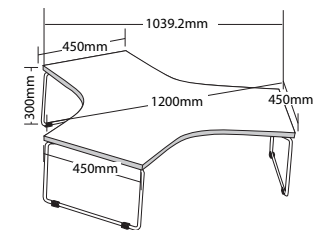
SIZE



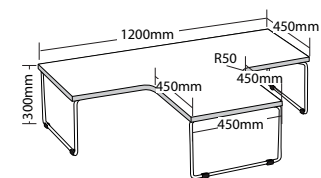
SHAPE-600



SHAPE-1200

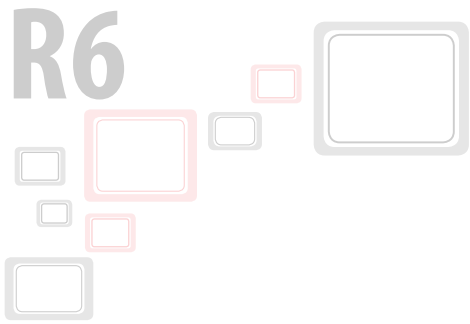


SHAPE-YT



SHAPE-TT





BREAKOUT SEATING

IMPRESS



FEATURES

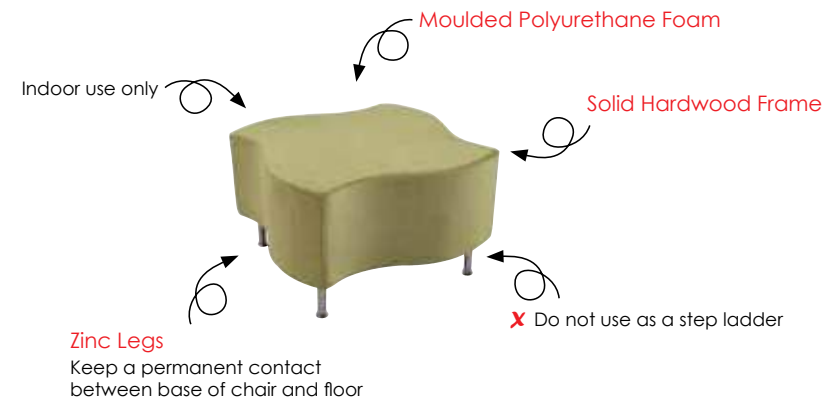
IMPRESS FEATURES

- » Solid hardwood frame
- » Zinc legs
- » Moulded polyurethane foam
- » Suitable for indoor use only
- » Available in local fabrics
- » 3 Year warranty
- » Weight limit is 130kg

IMPRESS TABLE FEATURES

- » Chrome legs
- » 8mm Tempered glass top
- » 3 Year warranty

INSTRUCTIONS OF USE



IMPRESS

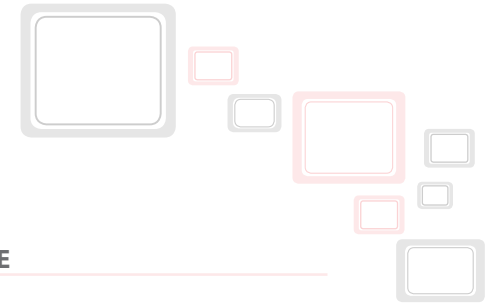


IMPRESS-1

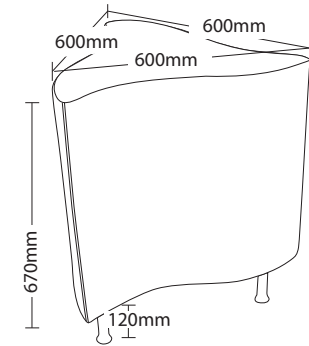
IMPRESS-2



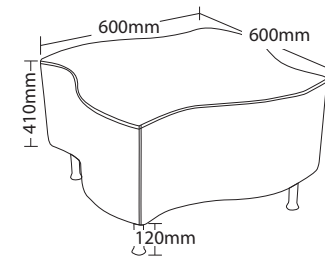
IMPRESS-T



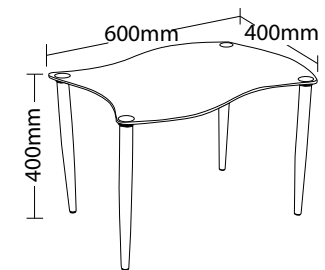
SIZE



IMPRESS-1

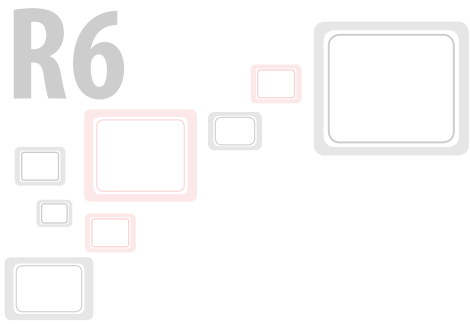


IMPRESS-2



IMPRESS-T





BREAKOUT SEATING

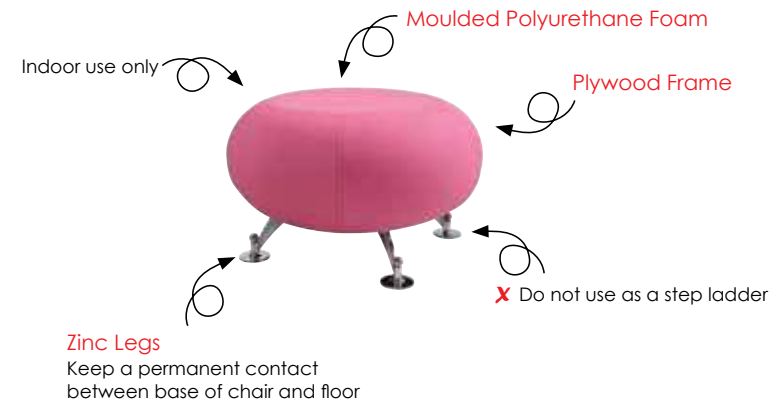
RADIUS



FEATURES

- » Plywood frame
- » Zinc legs
- » Moulded polyurethane foam
- » Suitable for indoor use only
- » Available in local fabrics
- » 3 Year warranty
- » Weight limit is 130kg

INSTRUCTIONS OF USE

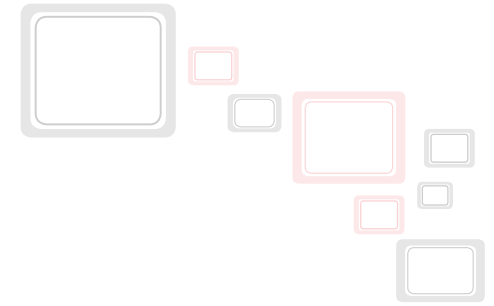


RADIUS

WARRANTY
3
Year

WEIGHT LIMIT
130
Kilogram

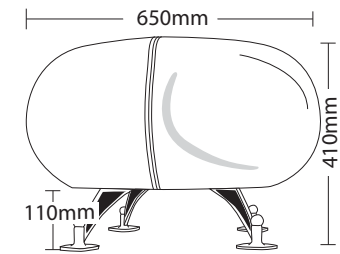
UPHOLSTERED
IN AUSTRALIA



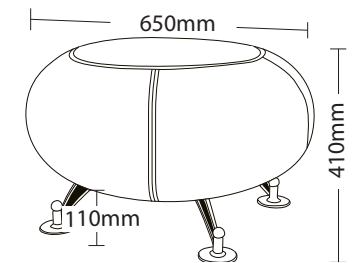
RADIUS-2

RADIUS-1

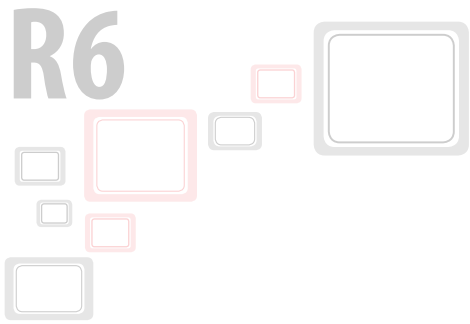
SIZE



RADIUS-1



RADIUS-2



BREAKOUT SEATING

LEAF



FEATURES

LEAF FEATURES

- » Metal frame
- » High density foam
- » Loose back cushion
- » Suitable for indoor use only
- » Available in low and high back
- » Available in local fabrics
- » 3 Year warranty
- » Weight limit is 120kg

LEAF TABLE FEATURES

- » Chrome frame
- » MDF white top
- » 3 Year warranty

INSTRUCTIONS OF USE



LEAF

WARRANTY
3
Year

WEIGHT LIMIT
120
Kilogram

UPHOLSTERED
IN AUSTRALIA



LEAF-L

LEAF-H



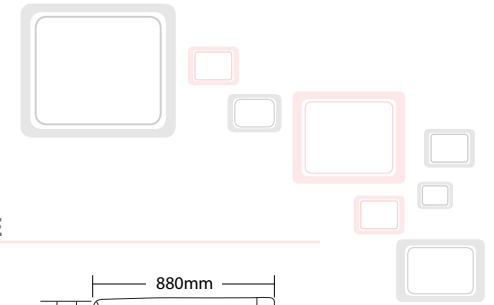
LEAF-H
Top view



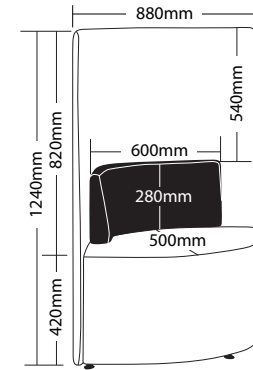
LEAF-L
Top view



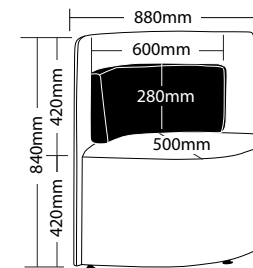
LEAF-T



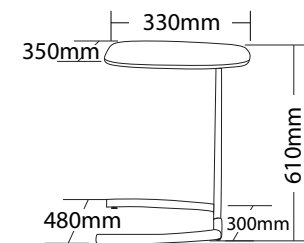
SIZE



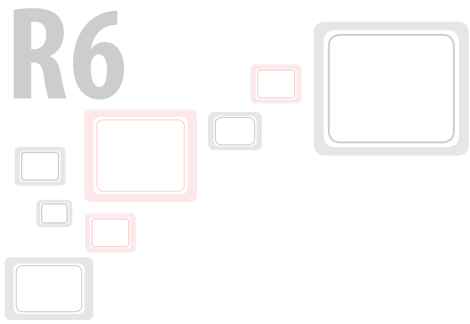
LEAF-H



LEAF-L



LEAF-T



BREAKOUT SEATING

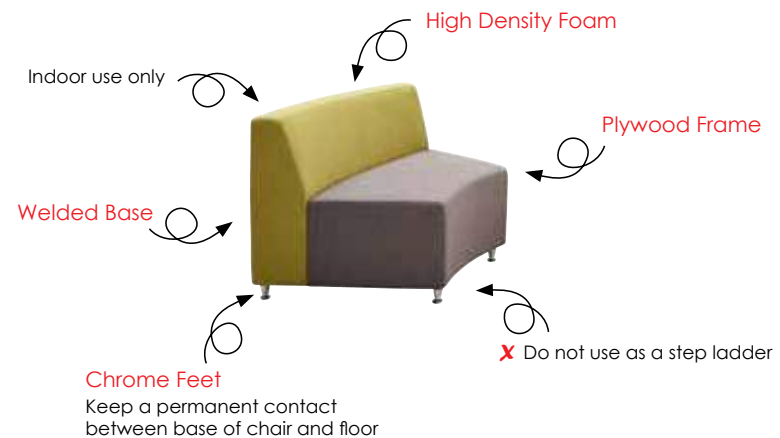
TWIST



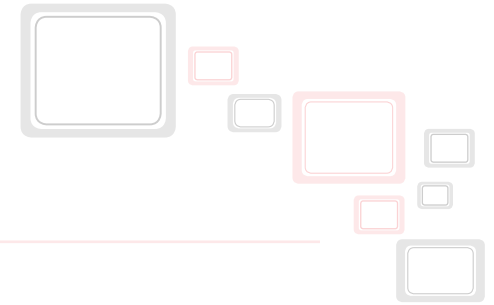
FEATURES

- » Plywood frame
- » Webbed base
- » High density foam
- » Chrome feet
- » Suitable for indoor use only
- » Available in local fabrics
- » 3 Year warranty
- » Weight limit is 120kg

INSTRUCTIONS OF USE



TWIST



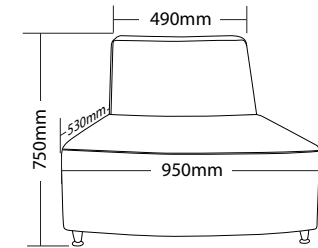
SIZE



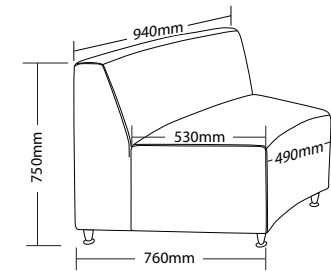
TWIST-SI



TWIST-OT



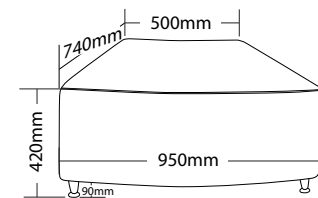
TWIST-SO



TWIST-SI

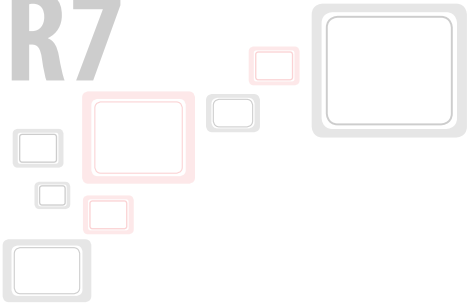


TWIST-SO



TWIST-OT

R7



STOOLS

BARS STOOLS



FEATURES

GAMMA FEATURES

- » Solid rod chrome frame
- » Available in local fabrics
- » 4 Year warranty
- » Weight limit is 120kg

VEGAS FEATURES

- » Solid rod chrome frame
- » Available in local fabrics
- » 4 Year warranty
- » Weight limit is 120kg

FLOW FEATURES

- » Solid steel stain base
- » Foot rest
- » Adjustable seat height
- » Available in local fabrics
- » 4 Year warranty
- » Weight limit is 120kg

LIFT FEATURES

- » Solid steel stain base
- » Foot rest
- » Adjustable seat height
- » Available in local fabrics
- » 4 Year warranty
- » Weight limit is 120kg

INSTRUCTIONS OF USE





GAMMA



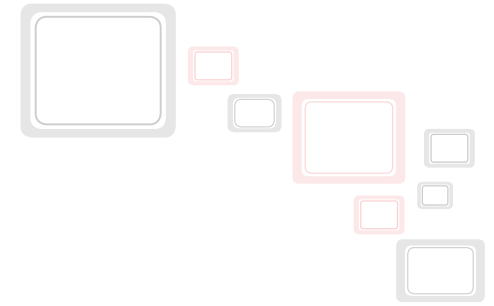
VEGAS



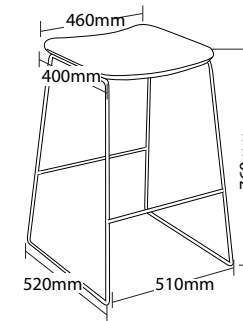
FLOW



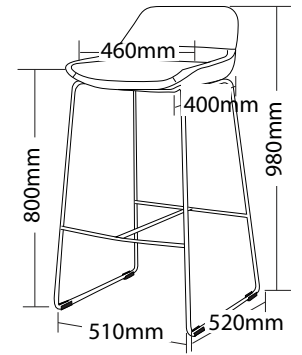
LIFT



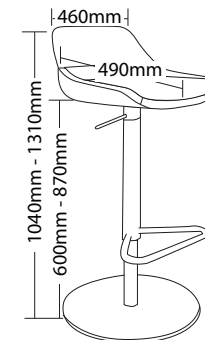
SIZE



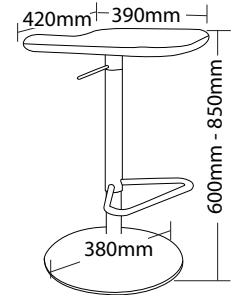
GAMMA



VEGAS

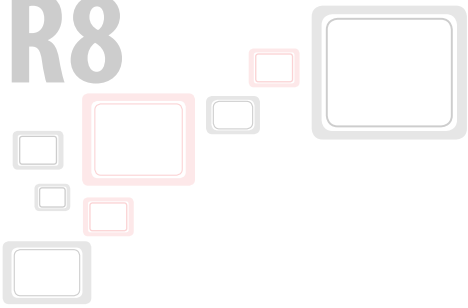


FLOW



LIFT

R8



SOFT SEATING

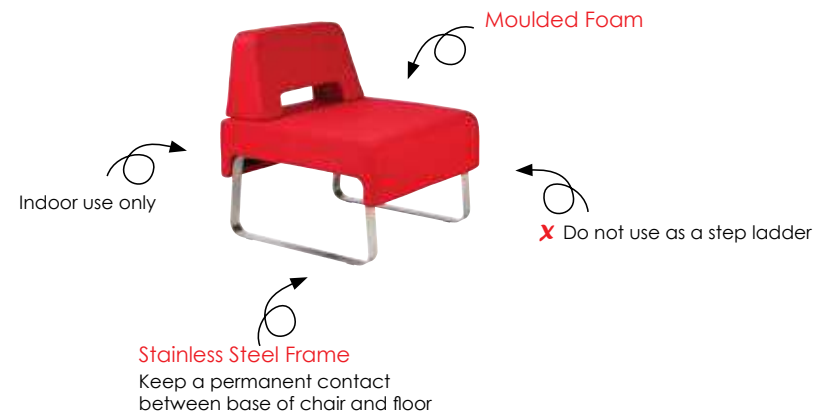
SPACE



FEATURES

- » Stainless steel frame
- » Moulded foam
- » Suitable for indoor use only
- » Available in local fabrics
- » 5 Year warranty
- » Weight limit is 130kg

INSTRUCTIONS OF USE

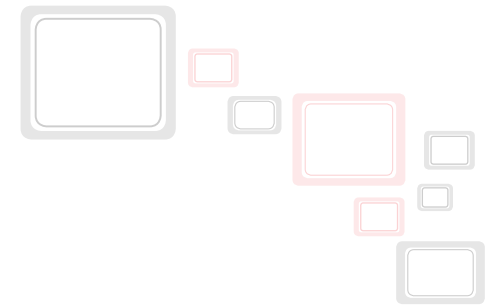


SPACE

WARRANTY
5
Year

WEIGHT LIMIT
130
Kilogram

UPHOLSTERED
IN AUSTRALIA

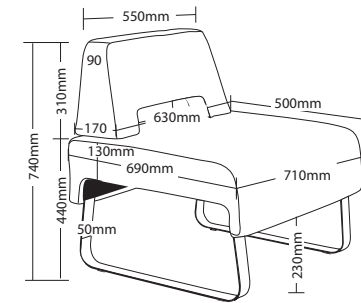


SPACE

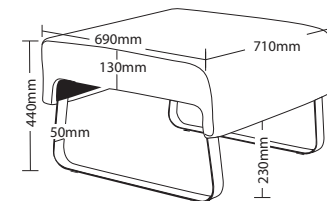


SPACE-OTTO

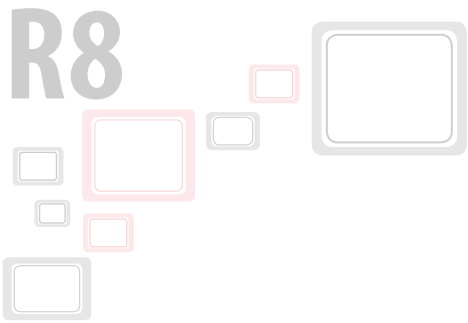
SIZE



SPACE



SPACE-OTTO



SOFT SEATING

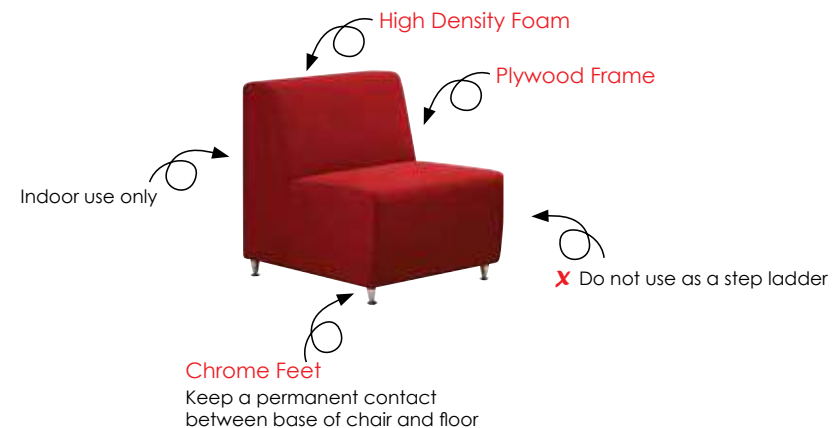
BLITZ



FEATURES

- » Plywood frame
- » Zig zag steel spring
- » High density foam
- » Chrome feet
- » Suitable for indoor use only
- » Available in local fabrics
- » 5 Year warranty
- » Weight limit is 120kg

INSTRUCTIONS OF USE



BLITZ



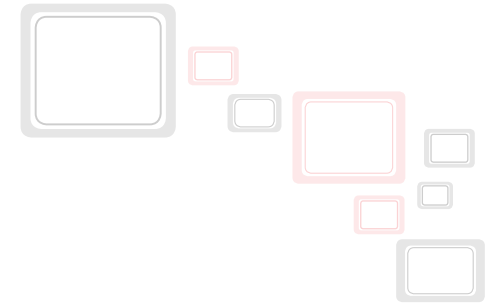
BLITZ-U



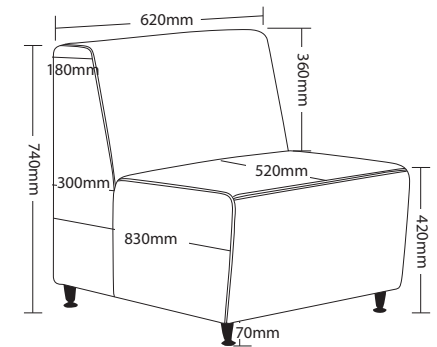
Side view



Front view

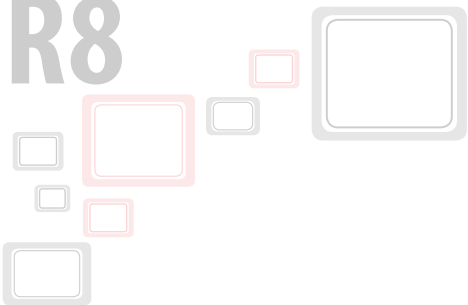


SIZE



BLITZ

R8



SOFT SEATING

ROXA



FEATURES

- » Solid hardwood frame
- » Zinc legs
- » High density foam
- » Suitable for indoor use only
- » Available in 1 and 2 seater only
- » Available in local fabrics
- » 5 Year warranty
- » Weight limit is 130kg per seat

INSTRUCTIONS OF USE

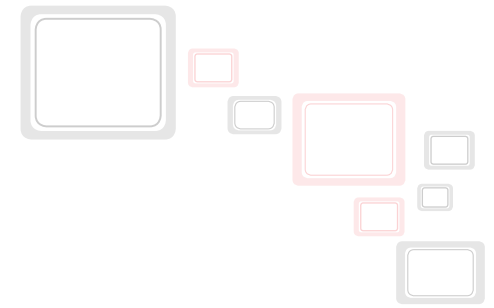


ROXA

WARRANTY
5
Year

WEIGHT LIMIT
130
Kilogram

UPHOLSTERED
IN AUSTRALIA

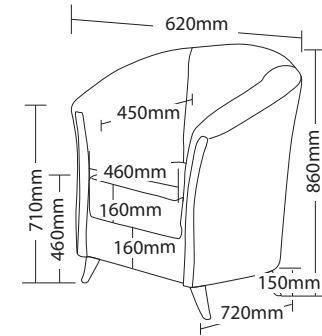


ROXA-1



Back view

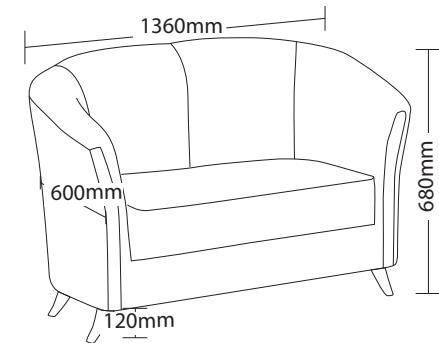
SIZE



ROXA-1

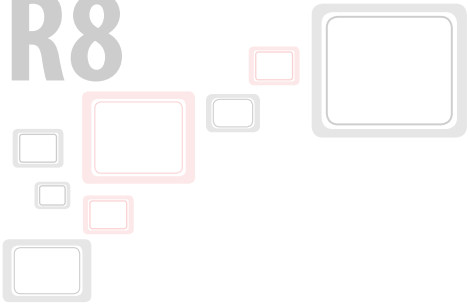


ROXA-2



ROXA-2

R8



SOFT SEATING

MONTAGE



FEATURES

- » Solid hardwood frame
- » Stainless steel feet
- » Zig zag steel spring
- » Webbed base
- » Pocket spring seat
- » Loose cushions upholstered both sides
- » Suitable for indoor use only
- » Available in single, double or triple seat options
- » Available in local fabrics
- » 5 Year structural warranty
- » Weight limit is 130kg per seat

INSTRUCTIONS OF USE

Indoor use only



Keep a permanent contact
between base of chair and floor

MONTAGE



MO-2S

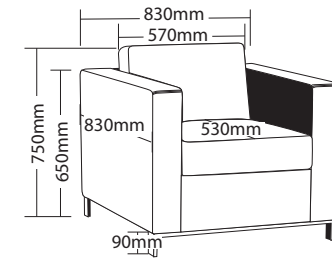


MO-1S

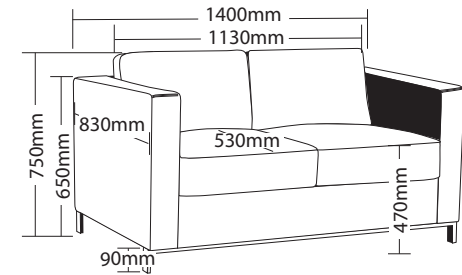


MO-3S

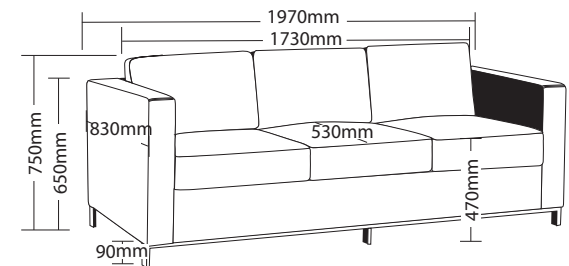
SIZE



MO-1



MO-2



MO-3



SCREENS

ACOUSTIC SCREENS



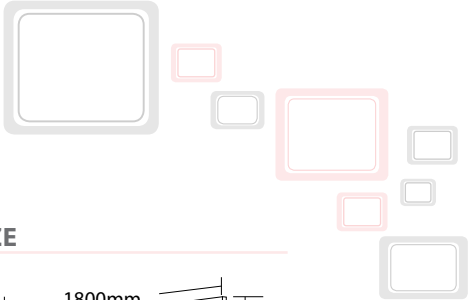
FEATURES

- » Solid timber frame
- » Frames wrapped with a 10mm layer of foam
- » Frames wrapped with a layer of cardboard
- » 19mm Metal side frame
- » Australian made
- » 2 Year warranty

OPTION

CODE	SCREEN SIZE (H X W)
FAS-1212	1200x1200mm
FAS-1215	1200x1500mm
FAS-1218	1200x1800mm
FAS-1512	1500x1200mm
FAS-1515	1500x1500mm
FAS-1518	1500x1800mm
FAS-1812	1800x1200mm
FAS-1815	1800x1500mm
FAS-1818	1800x1800mm

ACOUSTIC SCREENS



SIZE



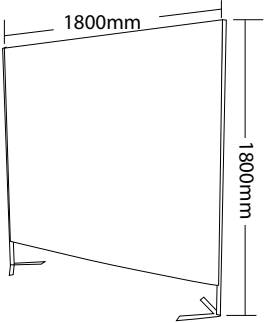
FAS-1818



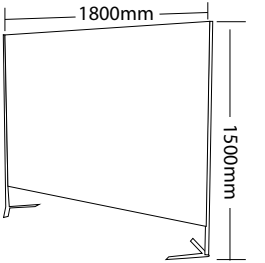
FAS-1218



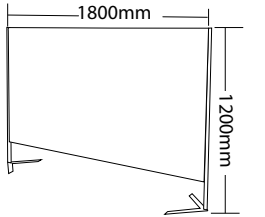
FAS-1518



FAS1818

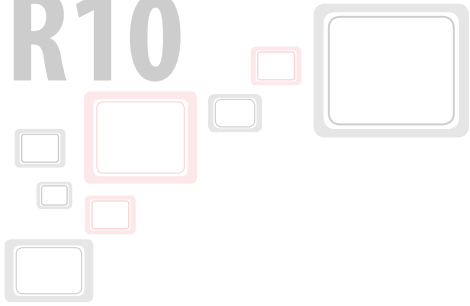


FAS1518



FAS1218

R10



STOOLS

INDUSTRIAL STOOLS



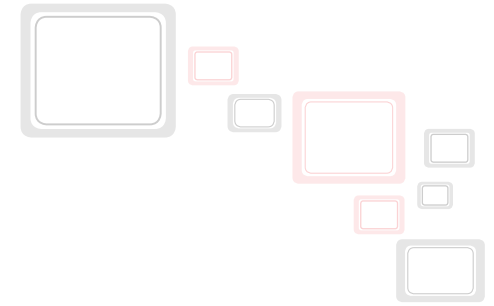
FEATURES

- » Adjustable seat height
- » Optional drafting kit
- » Optional glides or brake castors
- » 600mm Black nylon base
- » 5 Year warranty
- » Weight limit is 120kg

INSTRUCTIONS OF USE



INDUSTRIAL STOOLS

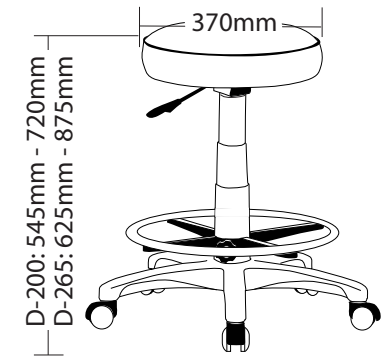


ST003D

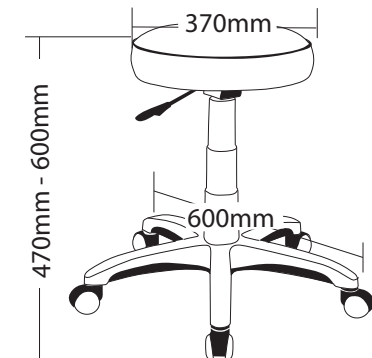


ST003

SIZE



ST003D



ST003



Consider it sorted.

Hunter Office Furniture

02 4973 1313

Unit 1-2, 31 Alliance Avenue, Morisset NSW 2264
sales@hunterofficesupplies.com.au